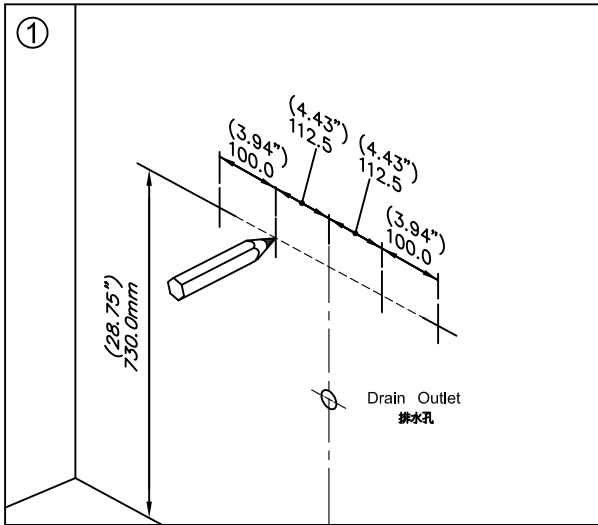
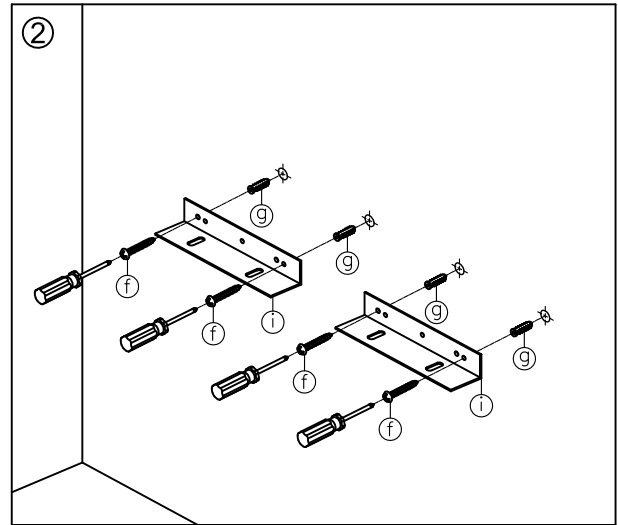


# INSTALLATION GUIDE

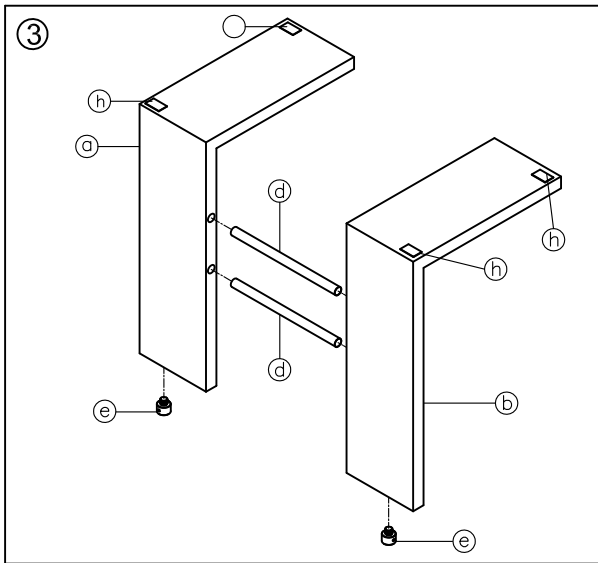
## BASIN TABLE 枱面組安裝說明



Mark 4 drill hole locations both side 112.5mm(4.43") and 212.5mm(8.37") from the center of drain outlet with a pencil shown as figure #1.  
如圖示用鉛筆標示四個鑽孔位置點,雙邊皆距離排水孔112.5MM(4.34")及212.5(8.37").

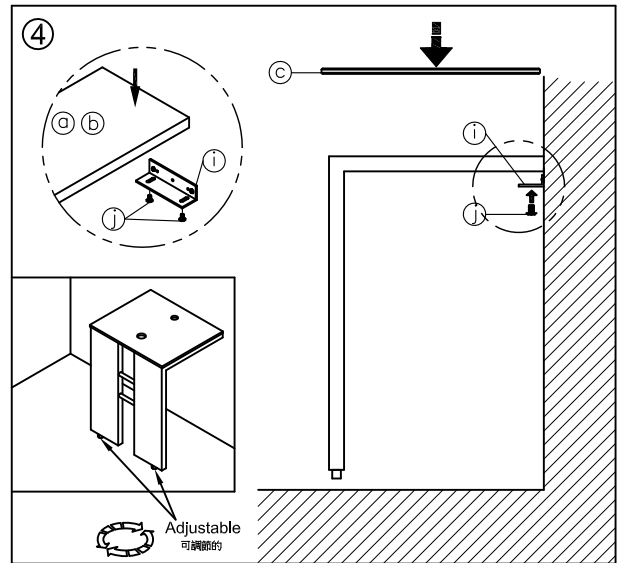


Drill fixing holes then insert 4 **Plastic Anchors** flush with wall.  
Fix **Wall Brackets** with **Stainless Steel Wall Screws** as fig#2 shown.  
鑽孔後填入塑膠塞使之齊平於牆面,用螺絲固定牆壁固定片。



Assembled **Left L type Wooden Board**, **Right L type Wooden Board**, **Connection-Pipe & Adjustable Support** as shown in figure #3. Gluing 4 **Adhesive Pads** to **Wooden Board** on appropriate Position before install **Tempered Glass Tabletop**.

將左,右腳架與兩支支撐桿組合,並在桌腳下鎖上調整腳座,將玻璃平台墊片上膠黏合於桌面適當的位置處。



Locate both **L & R Wooden Boards** on the **Wall Brackets**, then secure each wooden board with bracket in position by tightening the **Screws** shown as fig#4. Be sure the basin table is tightened against the wall then put on **Tempered Glass Tabletop**.

將左,右腳架放在牆壁固定片上並鎖緊螺絲,置放玻璃平台於腳架上,並調整桌面水平,即完成檯面組裝。

## FIXING CONTENTS

組配件內容

