

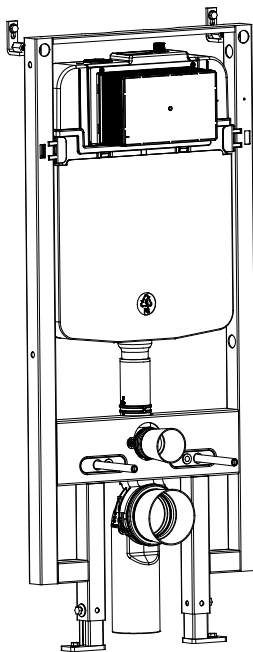
INSTALLATION INSTRUCTIONS

Concealed Cistern

隱藏式水箱安裝說明

Applicable Product Number:

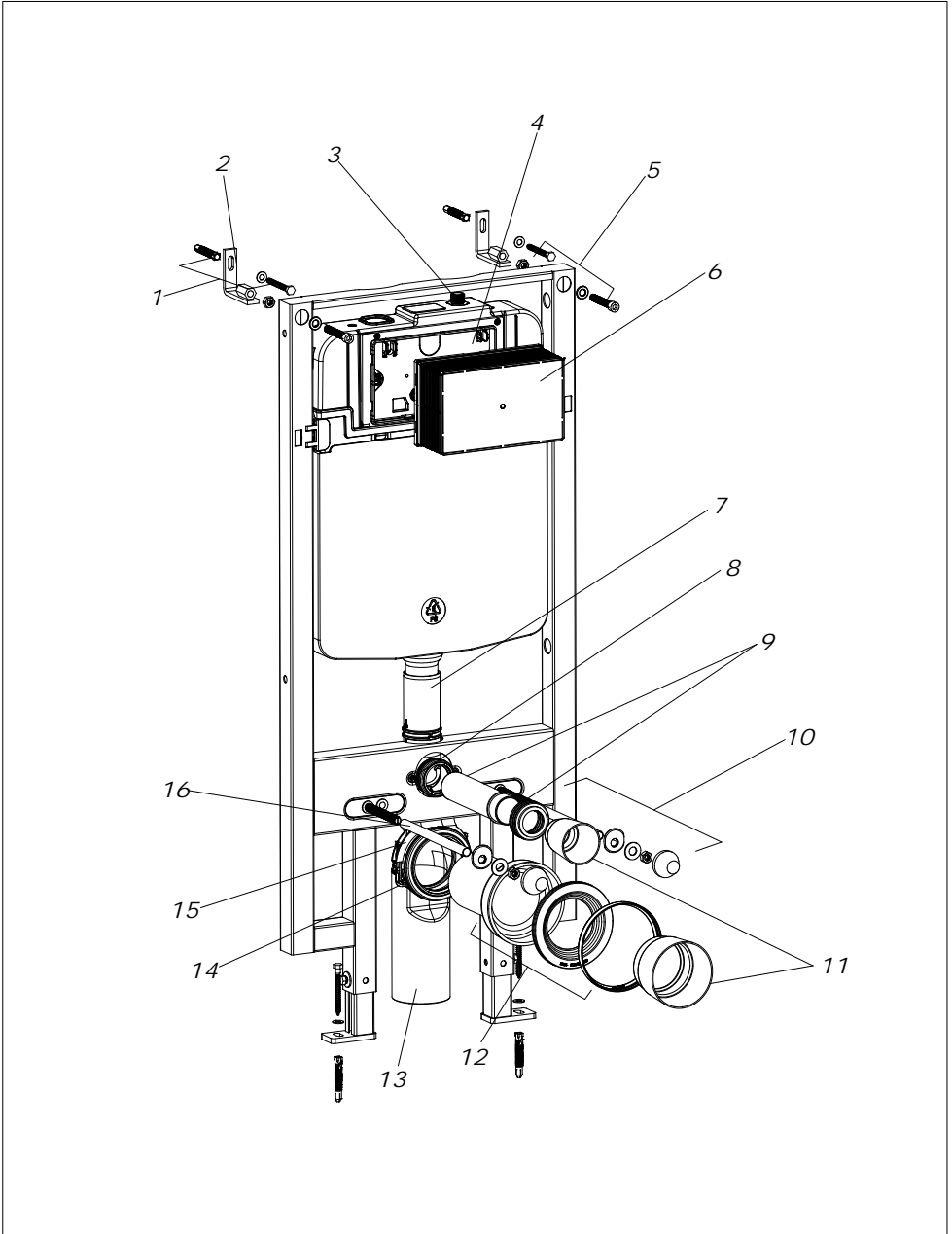
適用產品型號:



6373-P1-8000

FIXING CONTENTS

組配件內容



FIXING CONTENTS

組配件內容

NO	Description 名稱	Qty 數量	Function 用途
1	Expansion screw 膨脹螺釘組	4	Fixation of frame. 固定鐵架用
2	Wall bracket 鐵架固定彎角	2	
3	Angle valve 調節閥	1	Fill valve inlet and shut-off. 進水閥進止水開關
4	Cistern cover 水箱蓋板	1	Mounting of locking bracket. 固定支架組
5	Socket head screw 內六角螺釘組	2	Mounting of frame and locking into wall bracket. 將鐵架鎖緊在鐵架固定彎角用
6	Plastic holder 安裝盒	1	To reserve space for installation of actuator at wall building. 砌牆時為面板的安裝預留空間用
7	Connecting tube 連接彎管	1	Water inlet to ceramic bowl. 座便器進水管道
8	Fixing screws 固定螺釘	2	To fix connecting tube 固定連接彎管用
9	Straight tube 沖刷直管件	1	To joint cistern into ceramic bowl(cutting in accordance with wall thickness). 用於座便器與水箱配件的聯接(根據牆的厚度進行裁割)
10	Connecting screw 連接螺栓	2	To mount ceramic bowl. 固定座便器用
11	Piping stopper 彎管堵頭	2	To reserve space for flushing piping at wall building. To reserve space for discharging piping at wall building. 砌牆時為沖刷直管和排污連接管預留空間用
12	Connecting pipe 排污連接管件	1	To joint drain pipe into ceramic bowl (cutting in accordance with wall thickness). 用於座便器與排污彎管的聯接(根據牆的厚度進行裁割)
13	Draining syphon 排污彎管	1	To discharge liquid and solid waste from ceramic bowl. 座便器污水排放管道
14	Draining syphon holder 卡箍	1	
15	Mounting bracket 固定架	1	To mount draining syphon. 固定排污彎管用
16	Protective cover 保護套	2	To protect connecting screw at wall building. 砌牆時保護連接螺栓用


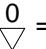
INSTALLATION NOTE

安裝注意事項

IMPORTANT INSTRUCTIONS:

1. Please adhere the following installation instructions. We shall not be responsible for failures and loss that are contributed to improper installation.
2. Please confirm the fixation location of the frame prior to installation and obtain the finished floor surface. Draw *FFL* on installation wall and follow it as a baseline from ZERO (0) level.
3. These instructions have been composed based on the latest product specifications. We reserve the right to make modifications to the packaging and specifications without providing prior notice.


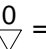
NOTES:

1. Mount before bricks building.
2. All sizes are shown in mm.
3. The drawing is shown for reference only. Follow the actual product parts.
4. Finished Floor.  FFL  = FINISHED FLOOR

重要提示:

1. 安裝前請仔細閱讀說明書,本公司不承擔因安裝人員未按說明書要求施工所造成的損失.
2. 在鐵架安裝前,先確認安裝位置,並根據室內裝修的總體策劃,確定裝修完成後的地板面,並在安裝牆上劃出 *FFL* 線,並始終以此作為高度0的基準線.
3. 所有資料是按出版時的最新產品資料編寫,本公司保留在任何時候不需通知便可更改產品的特徵,包裝或供應產品的權利.

注意事項:

1. 請在貼瓷磚之前安裝本產品
2. 所有的尺寸單位為毫米(mm)
3. 圖示零件若與實物不符,請以實物為準;
4.  FFL  = 工程完工後的地板面

INSTALLATION INSTRUCTIONS

安裝說明

1

Drainage System Layout :

Drawing 1 to 3 are three different installation systems for drain pipe.

Customer should confirm whichever installation system according to drainage outlet position.

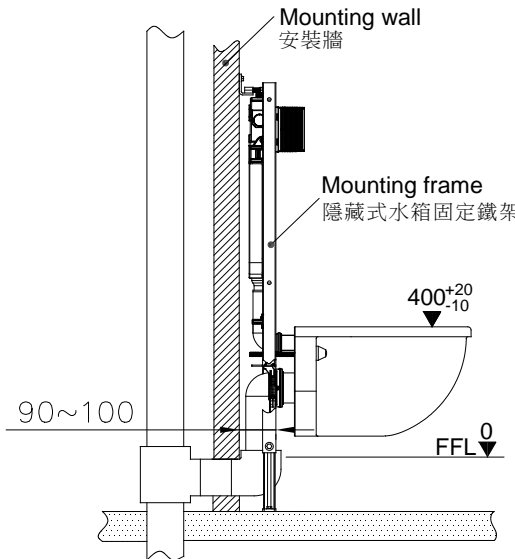
If drainage outlet does not fall within the three systems, customer should follow one of three drainage system layout to correspond installation of our concealed cistern.

排水管道鋪設：

圖1至3為排水管的3種安裝方式，客戶需根據排污口的位置來具體確定，如果排污口不是圖示3種方式中的一種，請在安裝前將排污口鋪設成其中的一種方式，以對應本產品排水管的輸出方式。

Option 1

方式 1

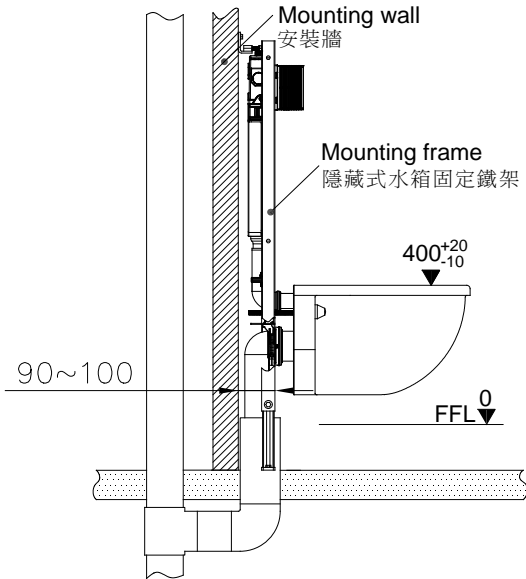


INSTALLATION INSTRUCTIONS

安裝說明

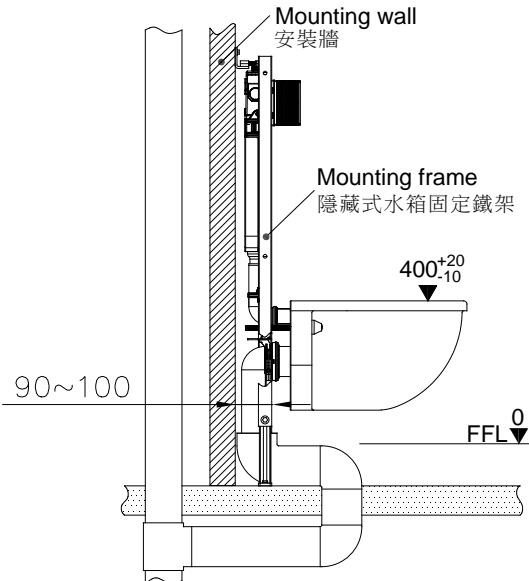
Option 2

方式 2



Option 3

方式 3



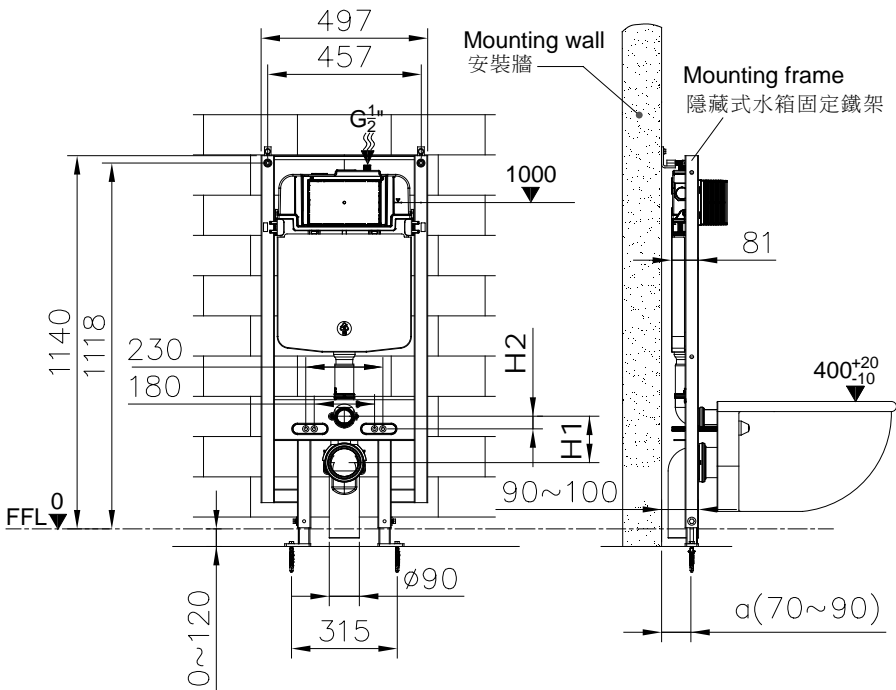
INSTALLATION INSTRUCTIONS

安裝說明

2

General dimension and water supply drawing

基本尺寸及供水管道鋪設

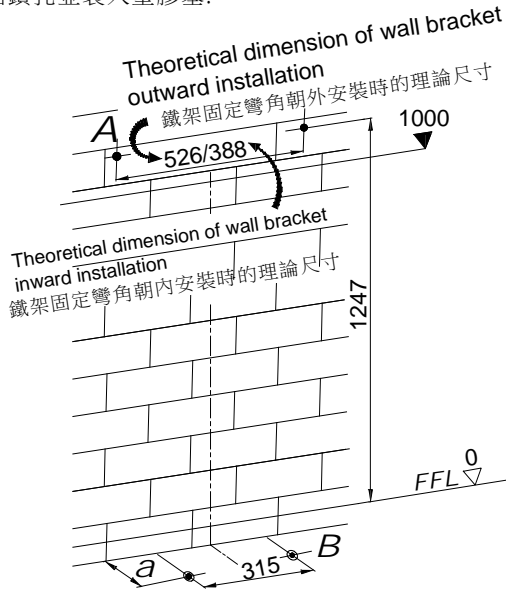


Dimension of $H1$ & $H2$ subject to available parts.

H1.H2以出廠時的配件為主

3

Drill holes on the mounting wall and the floor and then install expansion screws.
 在安裝牆面及地面鑽孔並裝入塑膠塞。



Dimension "a" according to the practical location of flushing pipe.

Note: Above drillings are theoretical dimensions of frame mounting.

Please follow the practical location of frame.

"a"值根據水管的實際位置確定:

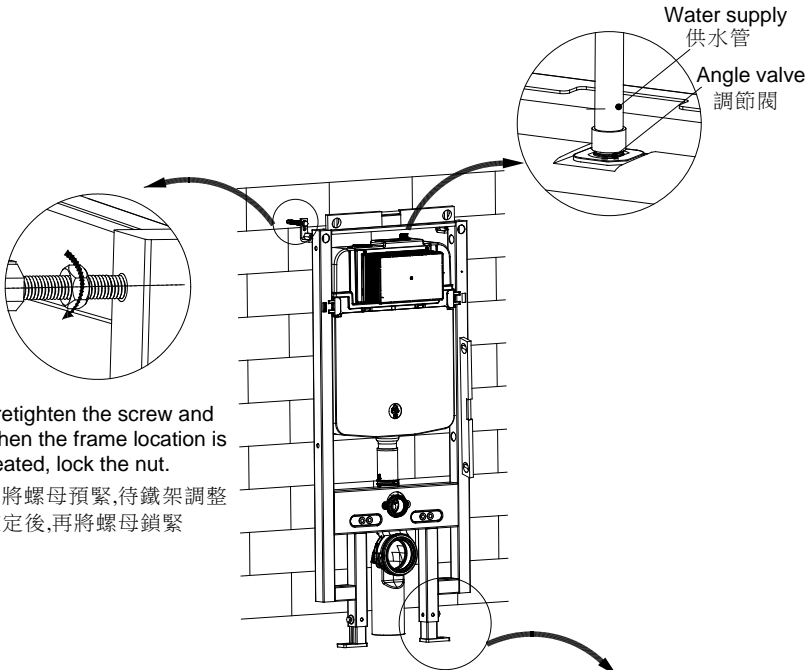
提示:圖中鑽孔位置的尺寸為鐵架安裝的理論尺寸, 安裝時請根據鐵架的實際安裝位置來確定。

<p>①</p> <p>Drill a hole of $\phi 10 \times 75$ 牆面鑽孔 $\phi 10 \times 75$</p>	<p>②</p> <p>Insert the expansion screw 裝入塑膠塞</p>	<p>①</p> <p>Drill a hole of $\phi 10 \times 75$ 地板鑽孔 $\phi 10 \times 75$</p>	<p>②</p> <p>Insert the expansion screw. 裝入塑膠塞</p>
<p>③</p> <p>Wall bracket can be mounted inwardly and outwardly. (The hole A distance will be different) 鐵架固定彎角可朝內/外側安裝 (不同朝向安裝時A孔間的距離不同)</p>			

6

Adjustment and fixation of the mounting frame

調節鐵架的豎直及水平並固定.



Pretighten the screw and when the frame location is seated, lock the nut.

先將螺母預緊,待鐵架調整確定後,再將螺母鎖緊

Water supply
供水管

Angle valve
調節閥

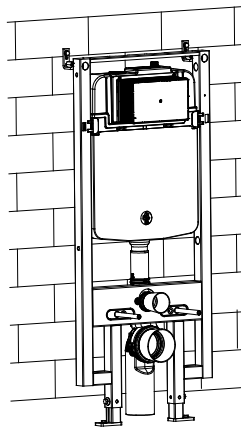
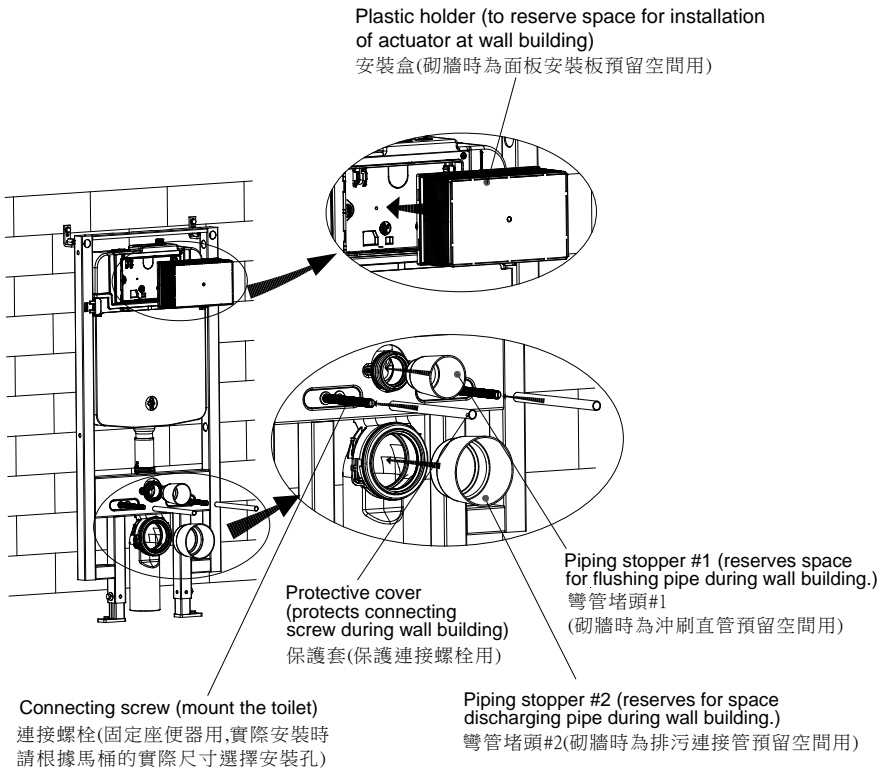
Pretighten the expansion screw and when the frame location is seated, lock it.

先將膨脹螺釘預緊,待鐵架調整確定後,再將膨脹螺釘鎖緊

7

Mount the installation accessories

裝修嵌件的安裝

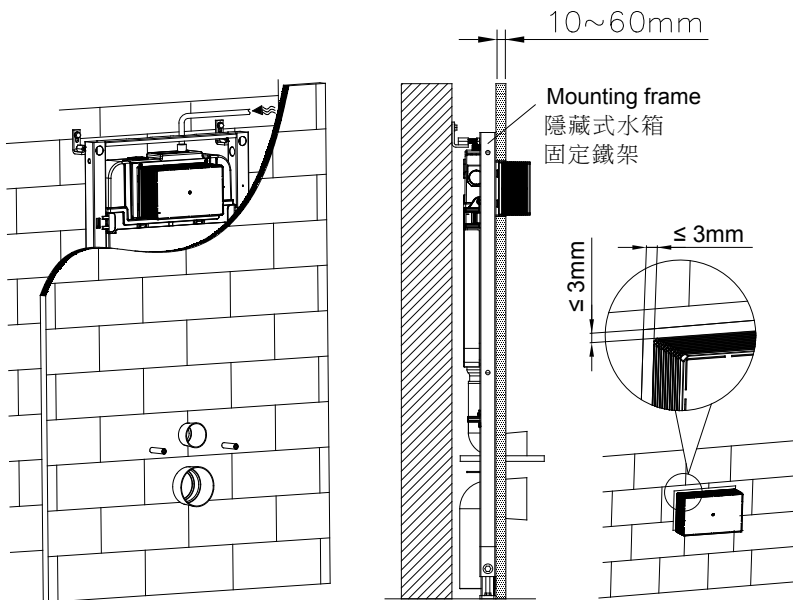


8

Wall thickness ranges between 10~60 mm

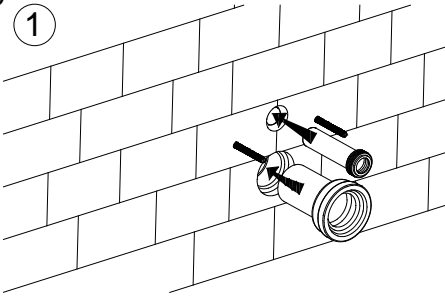
(From the outer surface of cistern to the finished wall)

裝修牆面厚度範圍 10~60mm(從水箱保護罩外表面算起至貼磚後完成面)



9

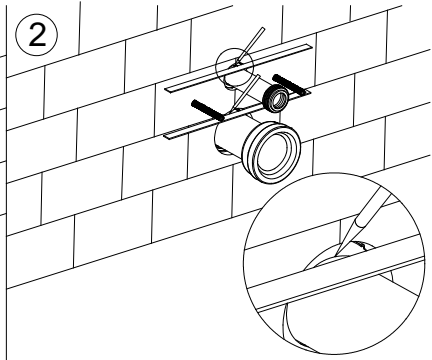
①



Fully insert the straight tube into the cistern flushing outlet and then connecting pipe into discharging outlet.

將直管和連接管分別插入水箱彎管和排水彎管到位。

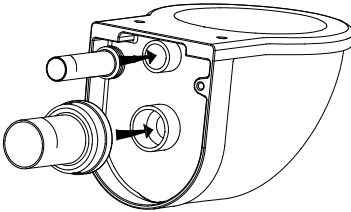
②



Draw the lines as shown above.

如圖劃線標識。

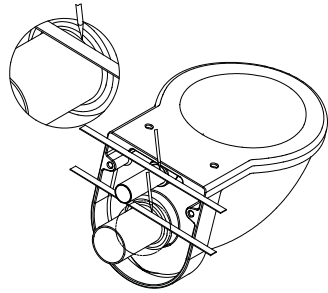
③



Apply lubricant on the rubber washers of the straight tube and connecting pipe, then insert them into ceramic holes.

分別在直管和連接管的橡皮墊上抹上矽油，然後插入座便器。

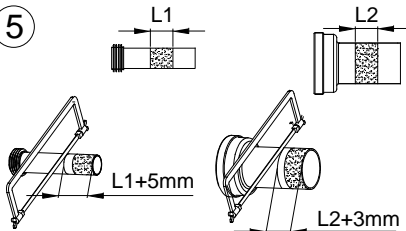
④



Draw the lines as shown above.

如圖劃線標識。

⑤

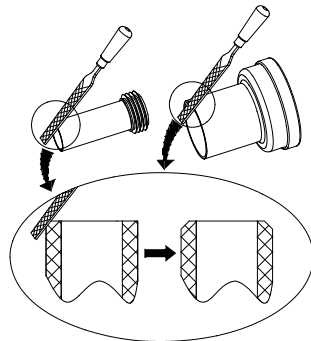


As per drawing, L1 is the distance between two lines on the straight tube.
L2 is the distance between two lines on the connecting pipe.

如圖，直管劃線標識之間的距離為L1
連接管劃線標識之間的距離為L2

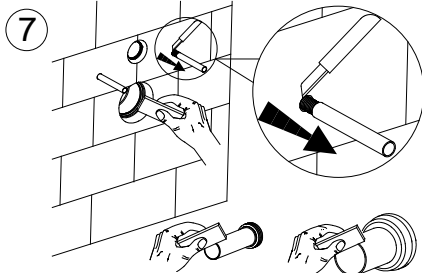
Cut the straight tube and connecting pipe as per above drawing.
在如圖尺寸位置處切割直管和連接管。

⑥



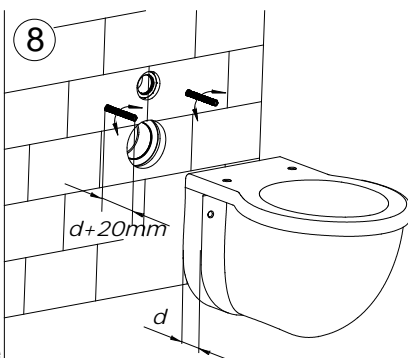
Polish the cut edges surface to get chamfer angle and deburring as per drawing.

將鋸短的兩管管口的端面打磨成如圖倒角，並去除毛邊。

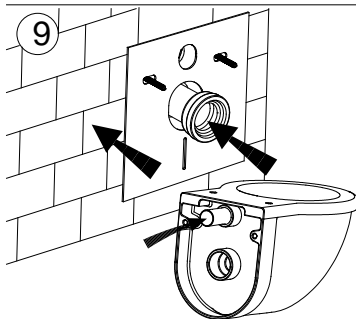


7
Cut the protection sleeve outside of the wall with a knife.
Apply lubricant on joint surface of straight tube and connecting pipe.

用刀將露在牆外面的保護套割掉,用帶有矽油的海綿在直管與彎管的結合處抹上矽油。

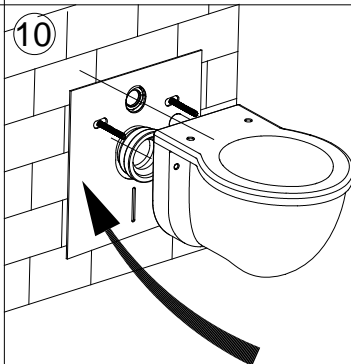


8
Adjust length of a connecting bolt to be **d+20mm**
將連接螺栓長度調節到**d+20mm**(如圖)。

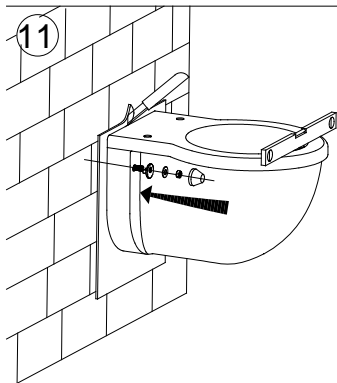


9
Firstly insert connecting pipe into discharging outlet and straight tube into ceramic hole.

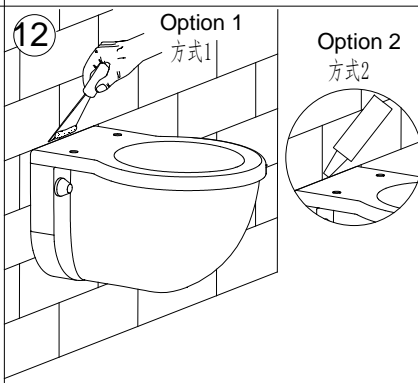
先將襯墊掛到螺栓上,再將連接管插入到排水彎管直管插入到座便器孔。



10
Mounting the ceramic bowl .
插入座便器

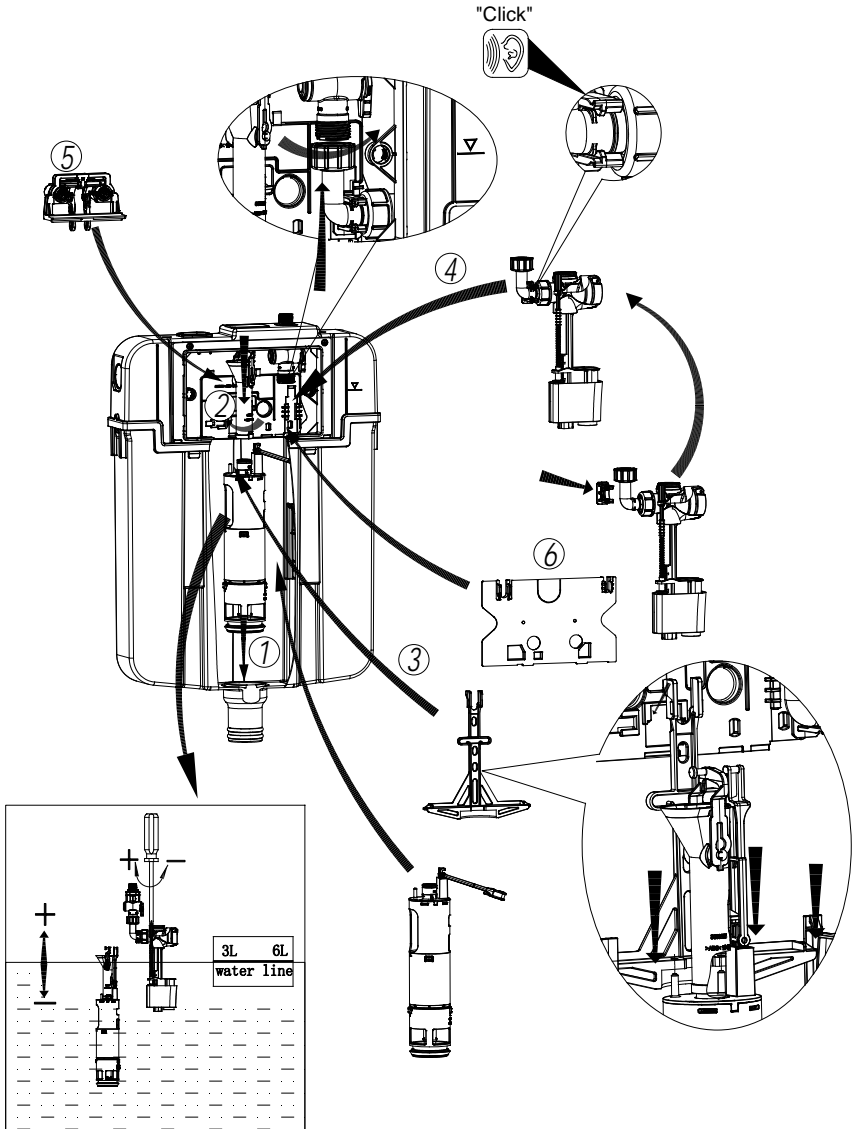


11
Screw the bowl and remove the extra pad.
將座便器鎖定並沿著座便器外形將多出襯墊去除



12
Fill the gap with white cement or glass cement.
用白水泥或玻璃膠將縫隙處補平

7



* The internal flushing mechanism are already well-assembled and above picture only for reference.

水箱配件出廠時已安裝好,以上圖示提供參考.

WARRANTY

Sheng Tai Brassware Co., Ltd. offer a one-year warranty on all of the Concealed Cistern from date of purchasing. The warranty covers any defect in material and workmanship during normal residential use. The following conditions of defect are charged for maintaining.

- Damage caused by accident, misuse, improper care and cleaning.
- Improper using or installation.
- Defects because of the external factors, such as erodent environment (ex. Seashore or mineral spring.), animal bites or dead body remains in product etc.
- Defect because of sand or impurity stuck in Concealed Cistern water way.
- Using water not adhered to the regulations of national standard.
- Deficiency caused by freeze.
- Not showing this warranty card.
- Not filling out in the blank of name of customer, date of purchase, cost of purchase, company of installation (retail store) and stamp on warranty card.
- Sheng Tai Brassware Co., Ltd. is not responsible for labor charges, installation, or other incidental or consequential costs.

勝泰衛材股份有限公司提供所有的隱藏式水箱，從購買之日起一年保固。保固範圍包括在一般住宅正常使用的期間，發現產品有任何材質和加工上的瑕疵。如瑕疵有下列情形，將收取維修費用。

- 因意外事故、不當操作使用，不當的保養維護和清洗所造成的損害。
- 不當使用或安裝。
- 外在因素造成產品的瑕疵，如易造成侵蝕的環境（如濱海或溫泉地區）、動物嚙咬或屍體存在於產品內造成的損壞。
- 因砂子或雜質卡住水路造成的損壞。
- 沒有依循國家標準的規定使用水源造成的損壞。
- 因冰凍造成的水量不足。
- 未出示此保固卡。
- 未在空白處填寫客戶名稱，購買日期，購買成本，安裝公司（零售商店），及保證卡上未蓋章。
- 勝泰衛材股份有限公司不負責工人費用，安裝，或其他附帶或間接產生的費用。

Customer	Name		Tel	
	Address			
Product	Serial No.		Name	
	Warranty	One year from date of purchase.		
Purchase place	Store		Tel	
	Address			
Purchase Date				
Purchase Price				

JUSTIME
www.justime.com

SHENG TAI BRASSWARE CO., LTD.

No.99 Sec.3 Chang Tsao Rd. Ho Me, Chang Hua, Taiwan

508 台灣彰化縣和美鎮彰草路3段99號

TEL: +886-4-7629971~4

FAX: +886-4-7526980

E-mail: shengtai@ms10.hinet.net

Facebook: www.facebook.com/JUSTIME