

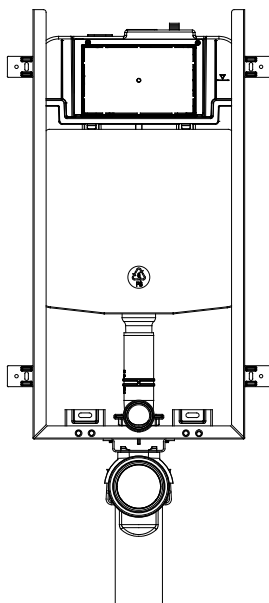
INSTALLATION INSTRUCTIONS

Concealed Cistern

隱藏式水箱安裝說明

Applicable Product Number:

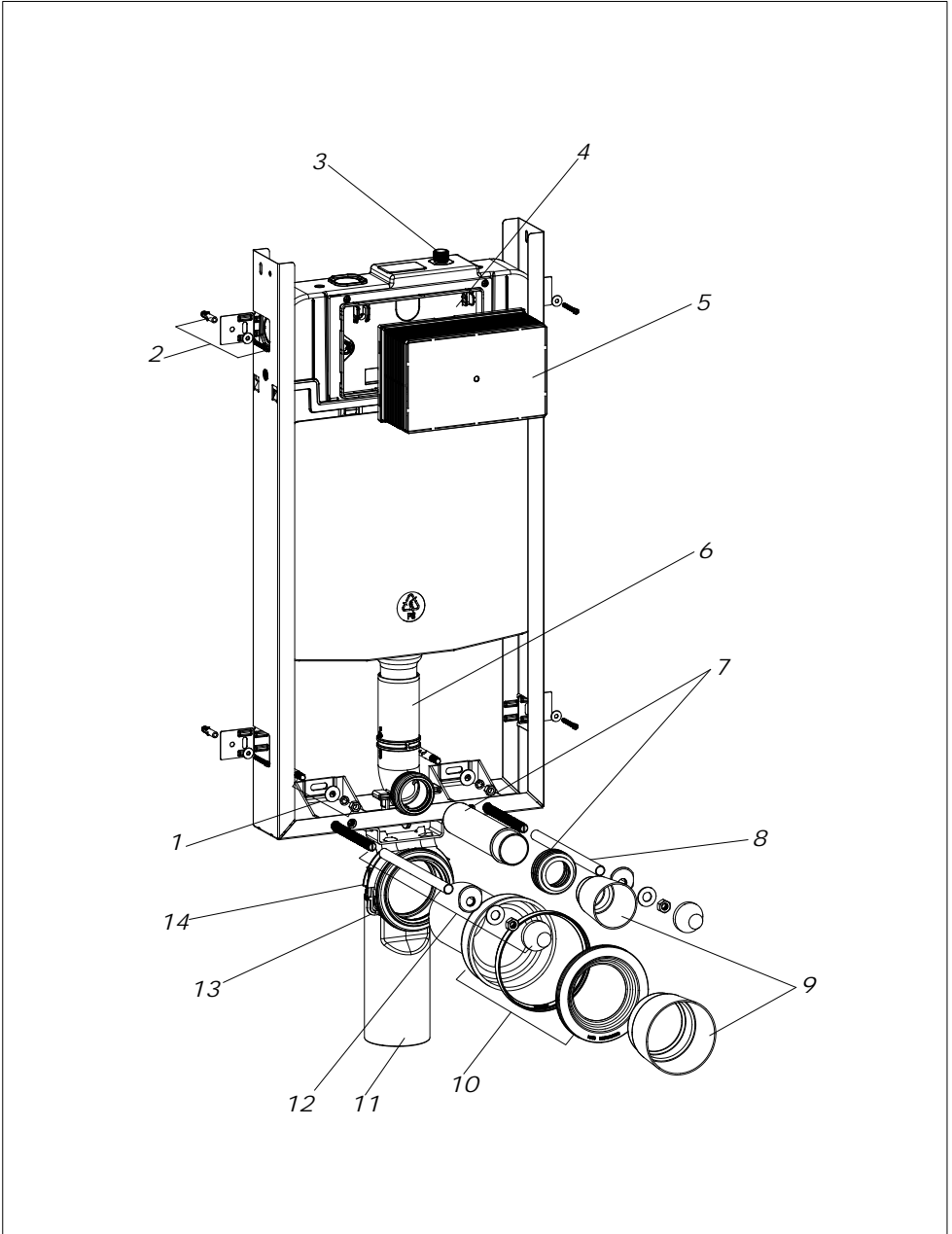
適用產品型號:



6373-P4-8000

FIXING CONTENTS

組配件內容



FIXING CONTENTS

組配件內容

NO	Description 名稱	Qty 數量	Function 用途
1	Steel expansion screw 鋼膨脹螺釘	2	For fixing metal frame. 固定鐵板框用
2	Expansion screw 膨脹螺釘組	4	
3	Angle valve 調節閥	1	Fill valve inlet and shut-off. 進水閥進止水開關
4	Cistern cover 水箱蓋板	1	Mounting of locking bracket. 固定支架組用
5	Plastic holder 安裝盒	1	To reserve space for installation of actuator at wall building. 砌牆時為面板的安裝預留空間用
6	Connecting tube 連接彎管	1	Inlet pipe of bowl. 座便器進水管道
7	Straight tube 沖刷直管件	1	To joint cistern into ceramic bowl (cutting in accordance with wall thickness). 用於座便器與水箱配件的聯接(根據牆的厚度進行裁割)
8	Protective cover 保護套	2	To protect connecting screw at wall building. 砌牆時保護連接螺栓用
9	Bend pipe stopper 彎管堵頭	2	To reserve space for straight tube and connecting pipe. 砌牆時為沖刷直管和排污連接管預留空間用
10	Connecting pipe 排污連接管件	1	To joint drain pipe into ceramic bowl (cutting in accordance with wall thickness). 用於座便器與排污彎管的聯接(根據牆的厚度進行裁割)
11	Draining syphon 排污彎管	1	To discharge liquid and solid waste from ceramic bowl. 座便器污水排放管道
12	Connecting screw 連接螺栓	2	To mount ceramic bowl. 固定座便器用
13	Mounting bracket 卡箍	1	To mount draining syphon. 固定排污彎管用
14	Draining syphon holder 固定架	1	

INSTALLATION NOTE

安裝注意事項

IMPORTANT INSTRUCTIONS:

1. Please adhere to the following installation instructions. We shall not be responsible for failures and loss that are contributed to improper installation.
2. Please confirm the fixation location of cistern prior to installation and obtain the finished floor surface. Draw FFL on installation wall and follow it as baseline from ZERO (0) level.
3. The instructions have been composed based in the latest product specifications. We reserve the right to make modifications to the packaging and specifications without providing prior notification.

NOTES:


1. Mount before bricks building.
2. All size unit in MM.
3. Follow the material product, should there is an unconformity with drawing.
4. Finished Floor.

 FFL $\overset{0}{\nabla}$ = FINISHED FLOOR

重要提示:

1. 安裝前請仔細閱讀說明書,本公司不承擔因安裝人員未按說明書要求施工所造成的損失.
2. 在鐵架安裝前,先確認安裝位置,並根據室內裝修的總體策劃,確定裝修完成後的地板面,並在安裝牆上劃出 *FFL* 線,並始終以此作為高度0的基準線.
3. 所有資料是按出版時的最新產品資料編寫,本公司保留在任何時候不需通知便可更改產品的特徵,包裝或供應產品的權利.

注意事項:

1. 請在貼瓷磚之前安裝本產品
2. 所有的尺寸單位為毫米(MM)
3. 圖示零件若與實物不符,請以實物為準;
4.  FFL $\overset{0}{\nabla}$ = 工程完工後的地板面

INSTALLATION INSTRUCTIONS

安裝說明

1

Drainage System Layout :

Drawing 1 to 3 are three different installation systems for drain pipe.

Customer should confirm whichever installation system according to drainage outlet position.

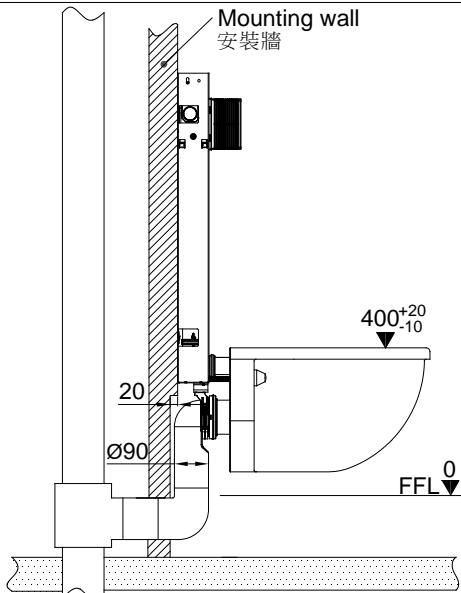
If drainage outlet does not fall within the three systems, customer should follow one of three drainage system layout to correspond installation of our concealed cistern.

排污管道鋪設：

圖1至3為排污管的3種安裝方式，客戶需根據排污口的位置來具體確定，如果排污口不是圖示3種方式中的一種，請在安裝前將排污口鋪設成其中的一種方式，以對應本產品排污管的輸出方式。

Option 1

方式 1

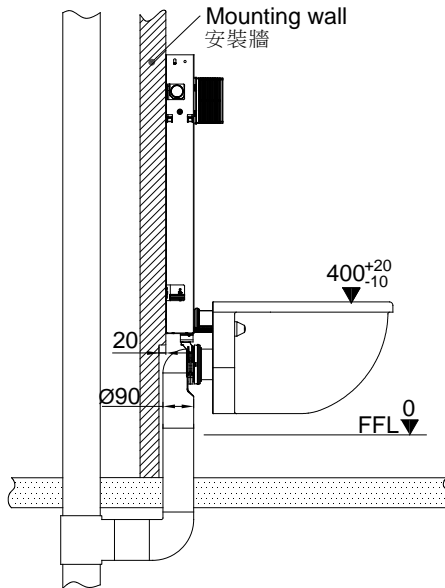


INSTALLATION INSTRUCTIONS

安裝說明

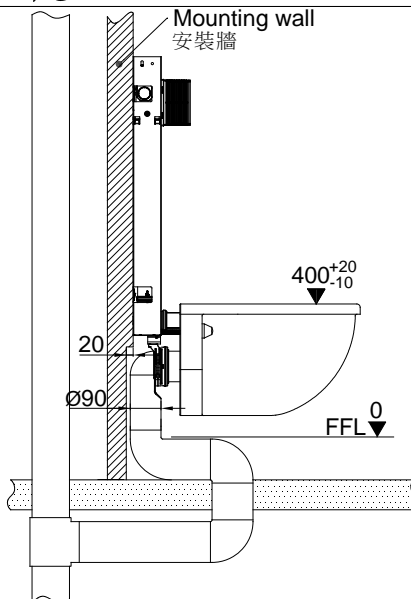
Option 2

方式 2



Option 3

方式 3



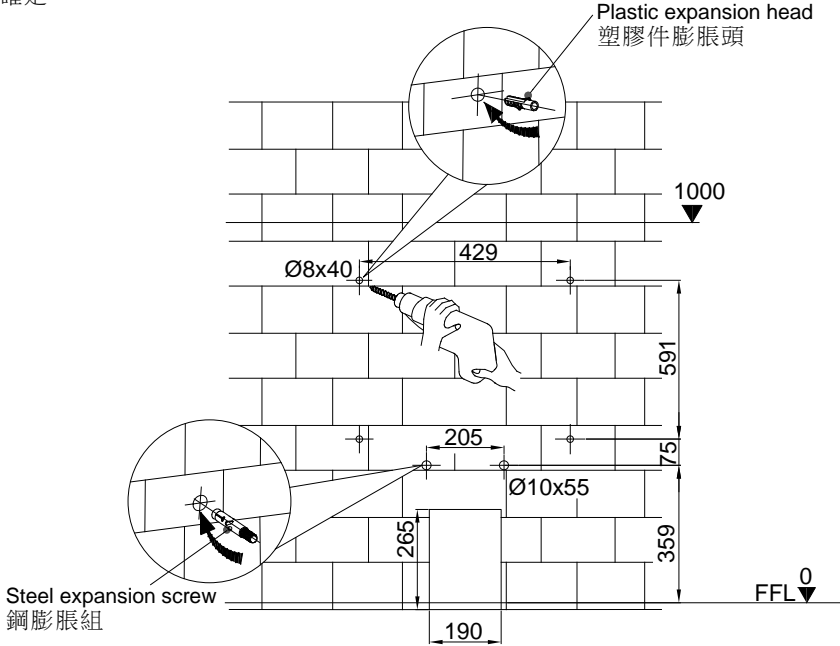
3

Drill the holes and insert the expansion bolt

鑽孔並裝入膨脹頭

Tips: The size of borehole position in the figure is the theoretical size of cistern installation, please adjust according to the actual installation location.

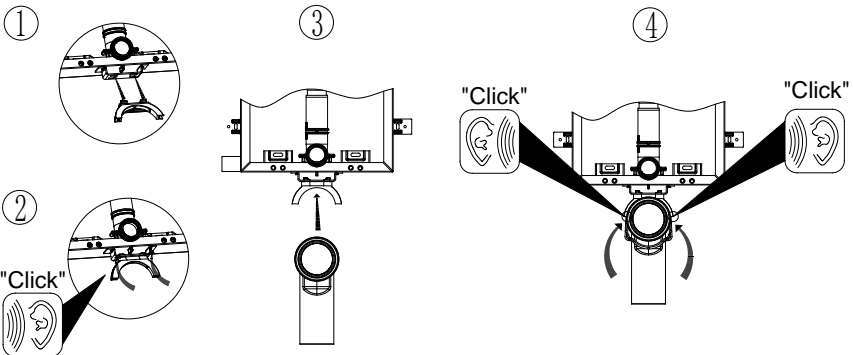
提示：圖中鑽孔位置的尺寸為水箱安裝的理論尺寸，安裝時請根據實際安裝位置來確定。



4

Installation of draining siphon

安裝排污彎管



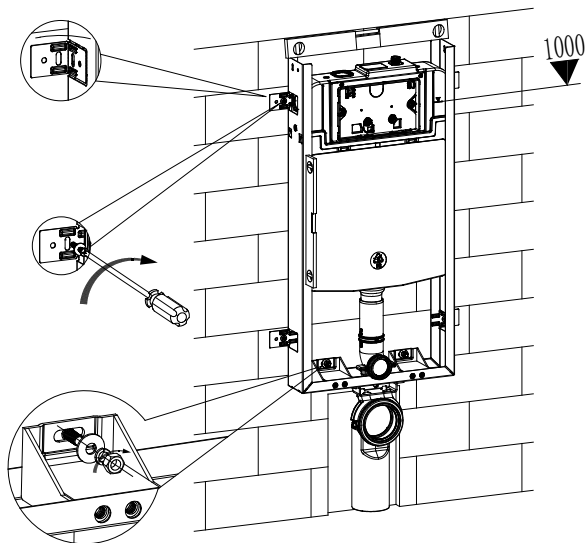
5

Install cistern, then adjust vertically and horizontally.

水箱的安裝，並調節豎直與水平

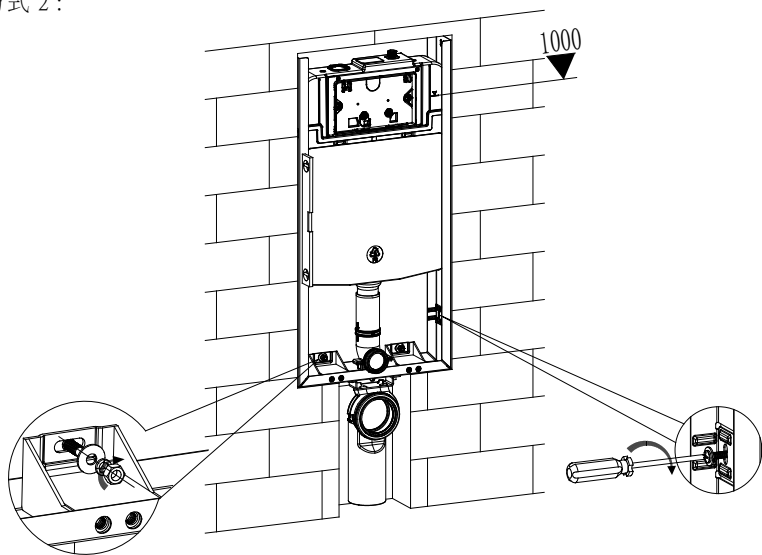
Cinstern installation method 1.

水箱安裝方式 1：



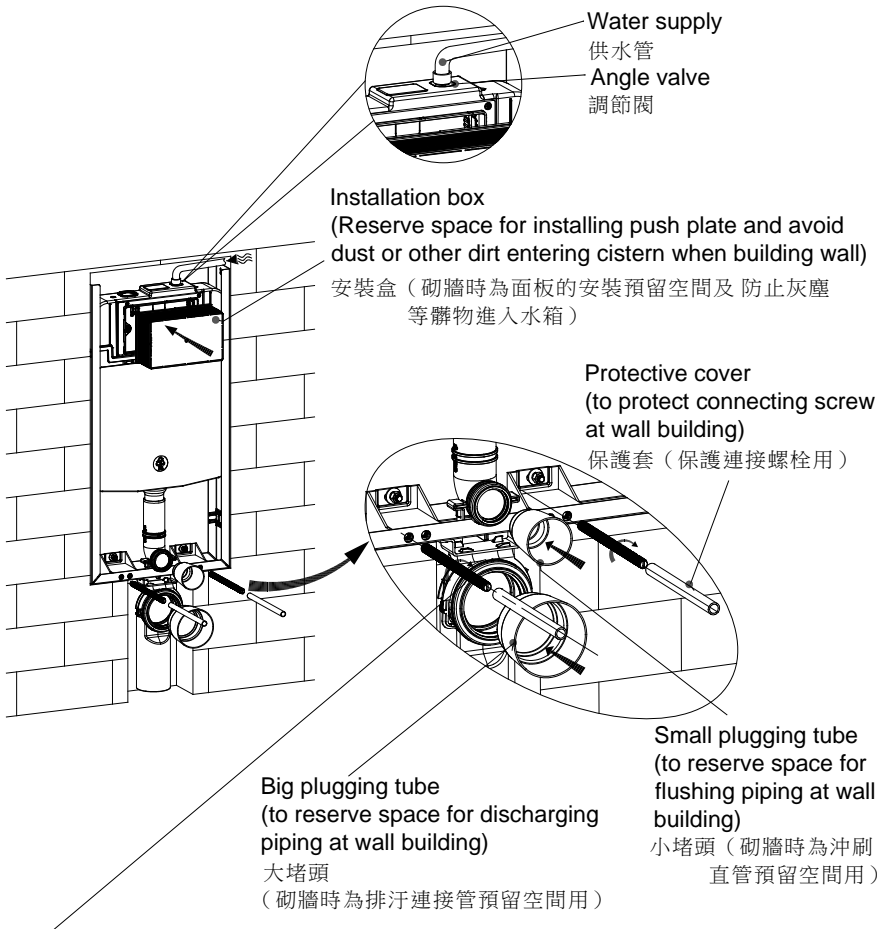
Cinstern installation method 2.

水箱安裝方式 2：



6 Decoration inserts for installation, water supply pipe.

安裝裝修嵌件，供水管



Connecting bolts

(for mounting toilet purpose, please choose connecting bolts hole with diameter of 180mm or 230mm according to actual dimension of toilet)

連接螺栓

(固定座便器用, 實際安裝時請根據馬桶的實際尺寸選擇螺栓孔尺寸180或230mm)



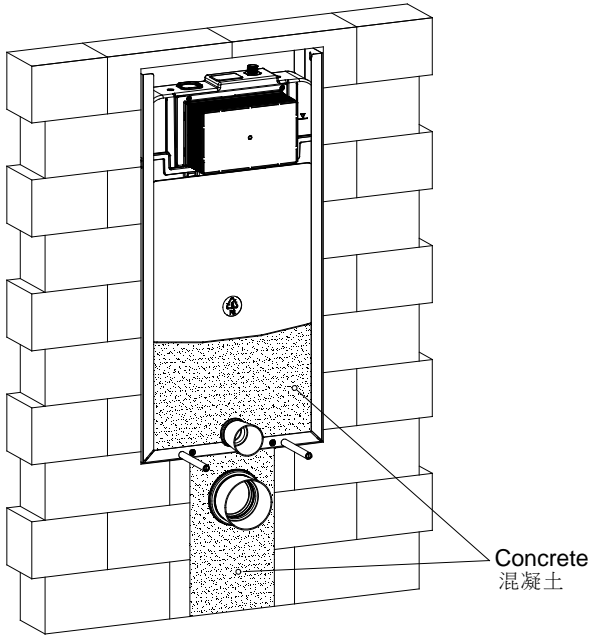
Note: The diameter of connecting bolts hole in the picture is 230mm

注意：示意圖螺栓孔尺寸是230mm

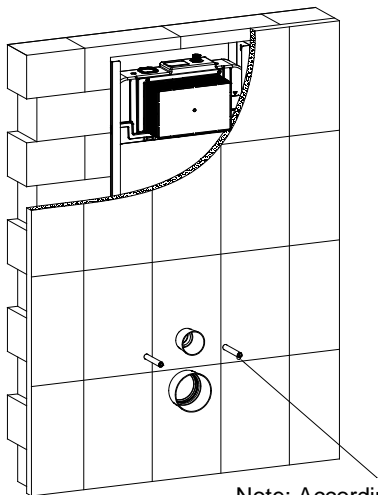
7

Build installation wall

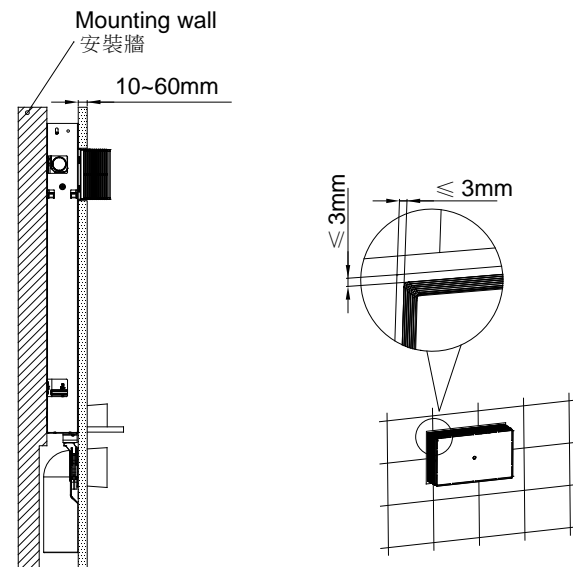
砌安裝牆



8 Wall thickness range 10-60mm
裝修牆面厚度範圍 10~60mm



Note: According to actual size of toilet,
select bolt hole size in 180mm or 230mm.
注意：根據馬桶的實際尺寸選擇螺栓孔尺寸180mm或者230mm

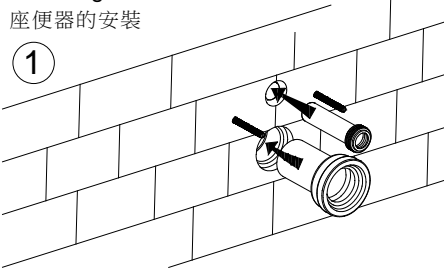


9

Mounting of ceramic bowl

座便器的安裝

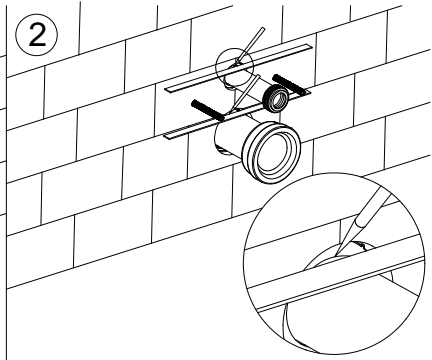
①



Fully insert the straight tube into the cistern flushing outlet and then connecting pipe into discharging outlet.

將直管和連接管分別插入水箱彎管和排水彎管到位。

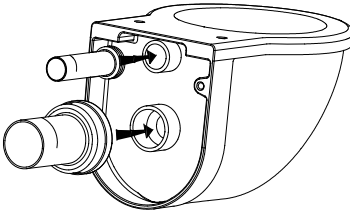
②



Draw the lines as above picture.

如圖劃線標識。

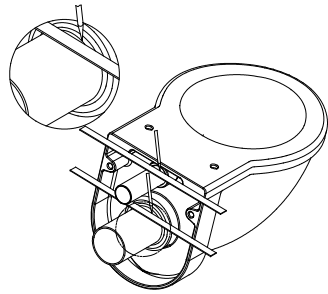
③



Apply lubricant on the rubber washers of the straight tube and connecting pipe, then insert them into ceramic holes.

分別在直管和連接管的橡皮墊上抹上矽油，然後插入座便器。

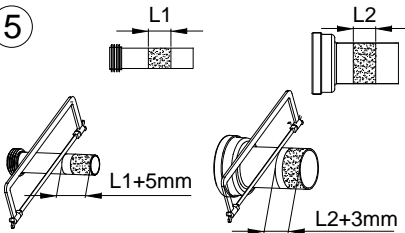
④



Draw the lines as above picture.

如圖劃線標識。

⑤



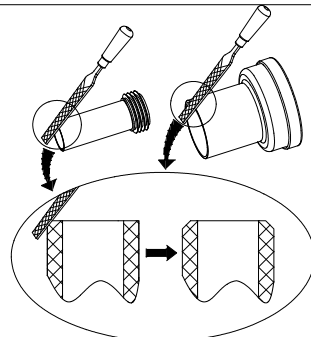
As per drawing, L1 is the distance between two lines on the straight tube. L2 is the distance between two lines on the connecting pipe.

如圖，直管劃線標識之間的距離為L1
連接管劃線標識之間的距離為L2

Cut the straight tube and connecting pipe as per above drawing.

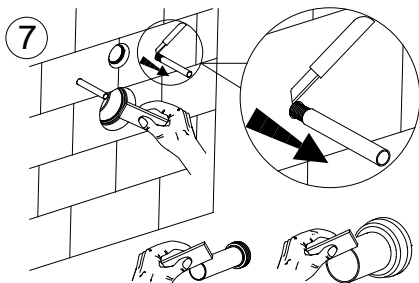
在如圖尺寸位置處切割直管和連接管。

⑥



Polishing the cutting surface to get chamfer angle and as per drawing and deburring.

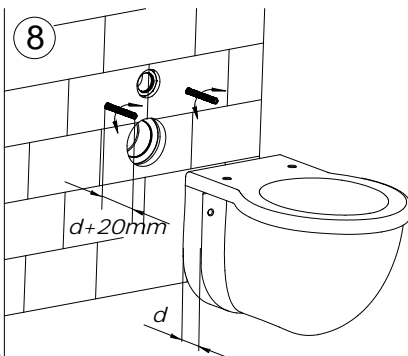
將鋸短的两管管口的端面打磨成如圖倒角，並去除毛邊。



7
Cut the protection sleeve outside of the wall with a knife.

Apply lubricant on joint surface of straight tube and connecting pipe.

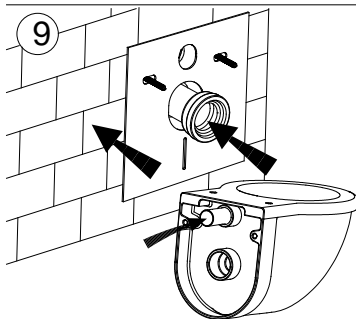
用刀將露在牆外面的保護套割掉，用帶有矽油的海綿在直管與彎管的結合處抹上矽油。



8

Adjust length of a connecting bolt to be $d+20\text{mm}$

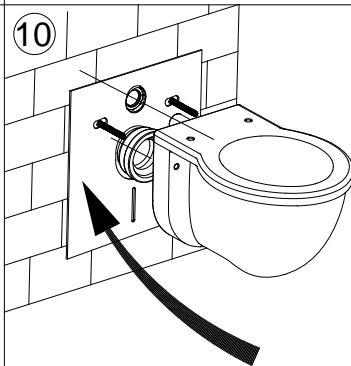
將連接螺栓長度調節到 $d+20\text{mm}$ (如圖)。



9

Firstly insert connecting pipe into discharging outlet and straight tube into ceramic hole.

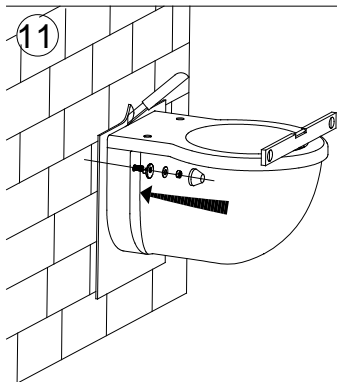
先將襯墊掛到螺栓上，再將連接管插入到排水彎管直管插入到座便器孔。



10

Mounting the ceramic bowl .

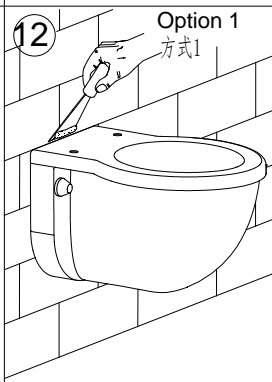
插入座便器



11

Screw the bowl and remove the extra pad.

將座便器鎖定並沿著座便器外形將多出襯墊去除



12

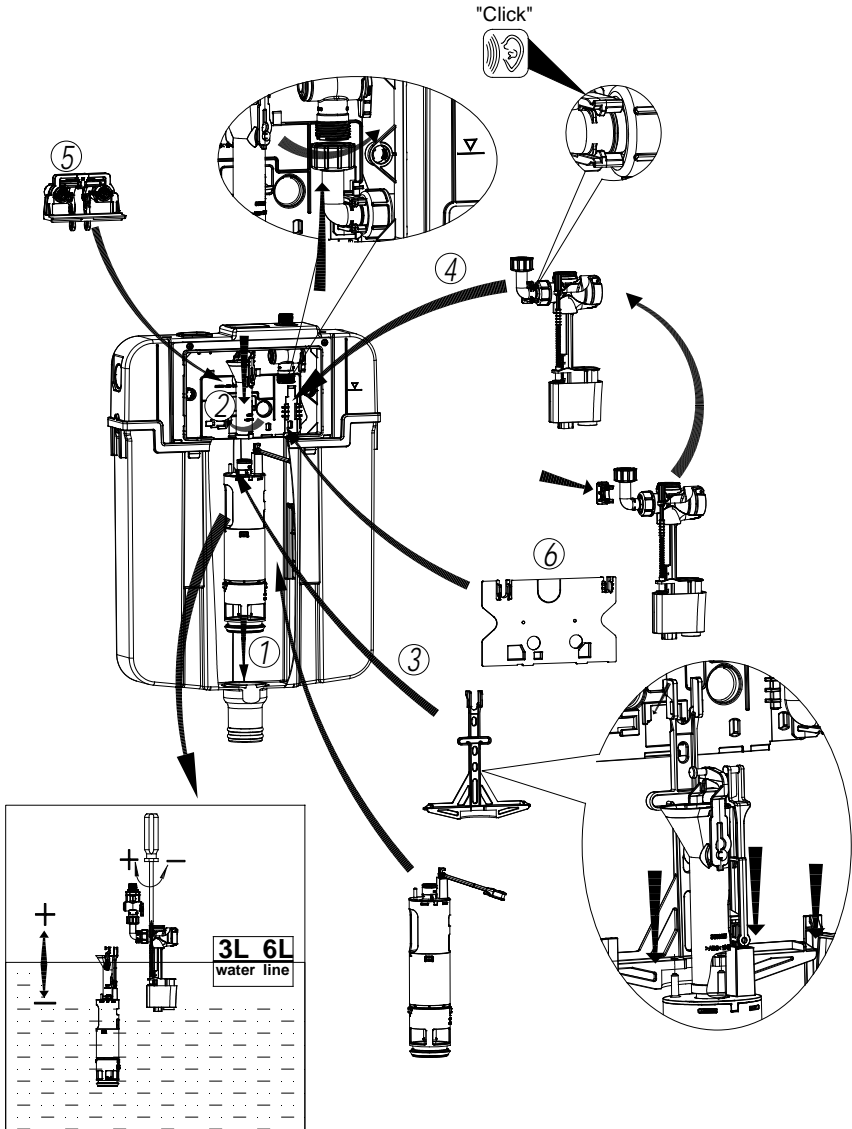
Option 1
方式1

Option 2
方式2

Fill the gap with white cement or glass cement.

用白水泥或玻璃膠將縫隙處補平

7



* The internal flushing mechanism are already well-assembled and above picture only for reference.

水箱配件出廠時已安裝好,以上圖示提供參考.

WARRANTY

Sheng Tai Brassware Co., Ltd. offer a one-year warranty on all of the Concealed Cistern from date of purchasing. The warranty covers any defect in material and workmanship during normal residential use. The following conditions of defect are charged for maintaining.

- Damage caused by accident, misuse, improper care and cleaning.
- Improper using or installation.
- Defects because of the external factors, such as erodent environment (ex. Seashore or mineral spring.), animal bites or dead body remains in product etc.
- Defect because of sand or impurity stuck in Concealed Cistern water way.
- Using water not adhered to the regulations of national standard.
- Deficiency caused by freeze.
- Not showing this warranty card.
- Not filling out in the blank of name of customer, date of purchase, cost of purchase, company of installation (retail store) and stamp on warranty card.
- Sheng Tai Brassware Co., Ltd. is not responsible for labor charges, installation, or other incidental or consequential costs.

勝泰衛材股份有限公司提供所有的隱藏式水箱，從購買之日起一年保固。保固範圍包括在一般住宅正常使用的期間，發現產品有任何材質和加工上的瑕疵。如瑕疵有下列情形，將收取維修費用。

- 因意外事故、不當操作使用，不當的保養維護和清洗所造成的損害。
- 不當使用或安裝。
- 外在因素造成產品的瑕疵，如易造成侵蝕的環境（如濱海或溫泉地區）、動物嚙咬或屍體存在於產品內造成的損壞。
- 因砂子或雜質卡住水路造成的損壞。
- 沒有依循國家標準的規定使用水源造成的損壞。
- 因冰凍造成的水量不足。
- 未出示此保固卡。
- 未在空白處填寫客戶名稱，購買日期，購買成本，安裝公司（零售商店），及保證卡上未蓋章。
- 勝泰衛材股份有限公司不負責工人費用，安裝，或其他附帶或間接產生的費用。

Customer	Name		Tel	
	Address			
Product	Serial No.		Name	
	Warranty	One year from date of purchase.		
Purchase place	Store		Tel	
	Address			
Purchase Date				
Purchase Price				

JUSTIME
www.justime.com

SHENG TAI BRASSWARE CO., LTD.

No.99 Sec.3 Chang Tsao Rd. Ho Me, Chang Hua, Taiwan

508 台灣彰化縣和美鎮彰草路3段99號

TEL: +886-4-7629971~4

FAX: +886-4-7526980

E-mail: shengtai@ms10.hinet.net

Facebook: www.facebook.com/JUSTIME