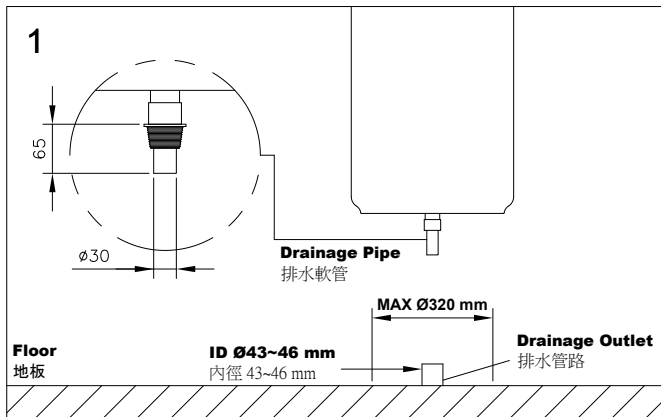


INSTALLATION INSTRUCTIONS

FREESTANDING BASIN

立柱盆安裝說明



1. Pre-install the **Drainage Outlet** in the suggested diameter with Max. 320mm, and then insert the **Drainage Pipe** to **Drainage Outlet**.

事先預留的排水管路，建議涵蓋範圍不可超過320mm，並將排水軟管插入預留的排水管路內。

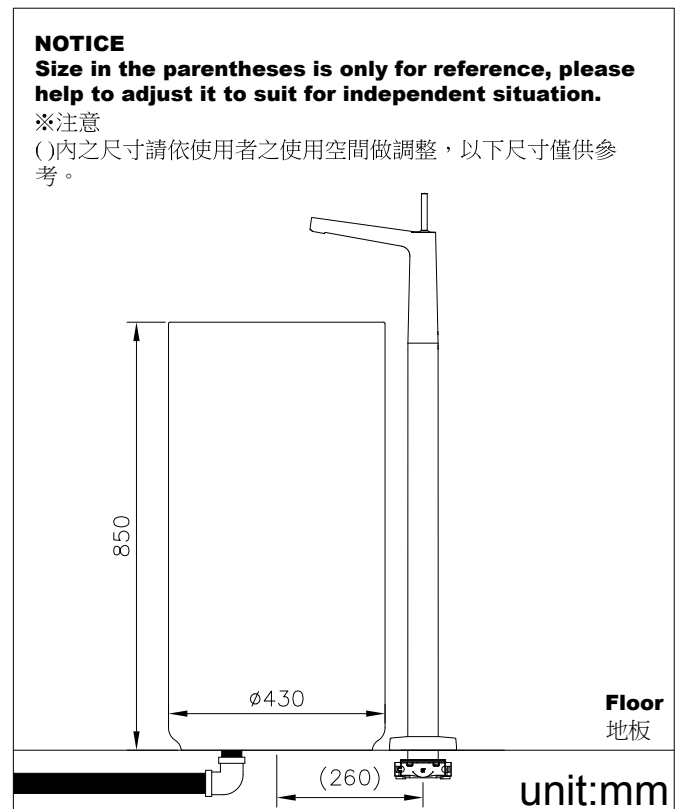
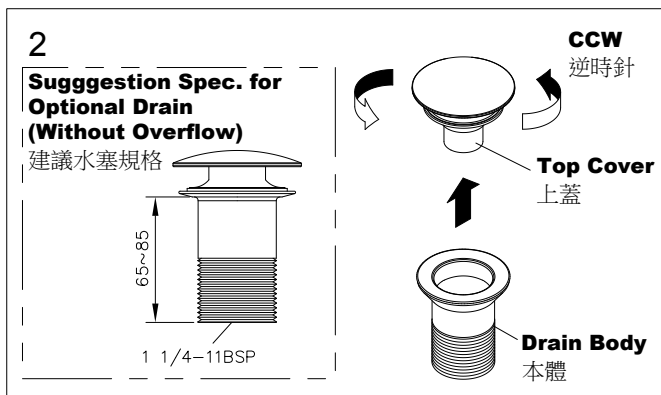
2. For installing the Optional Drain, disassemble the **Top Cover** counterclockwise from **Drain Body**.

先將水塞的上蓋以逆時鐘方向拆卸。

3. Fix **Drain Body** into the **Freestanding Basin**, and then Screw the **Top Cover** clockwise to **Drain Body**.

NOTE: Keep the **Gasket** between **Drain Body** and **Freestanding Basin**.

將水塞本體鎖入立柱盆中。再把上蓋鎖入水塞本體即可。
注意：墊片需置於本體與立柱盆之間。



FIXING CONTENTS

組配件內容

