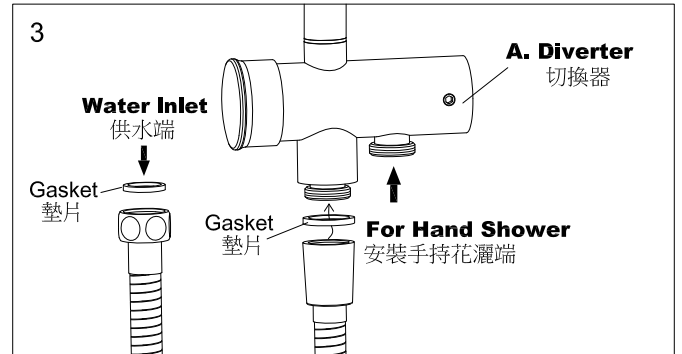
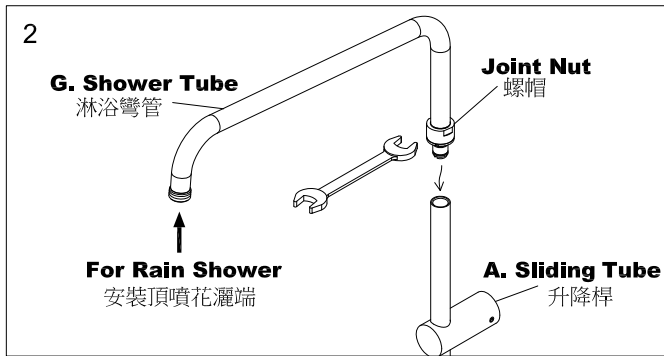
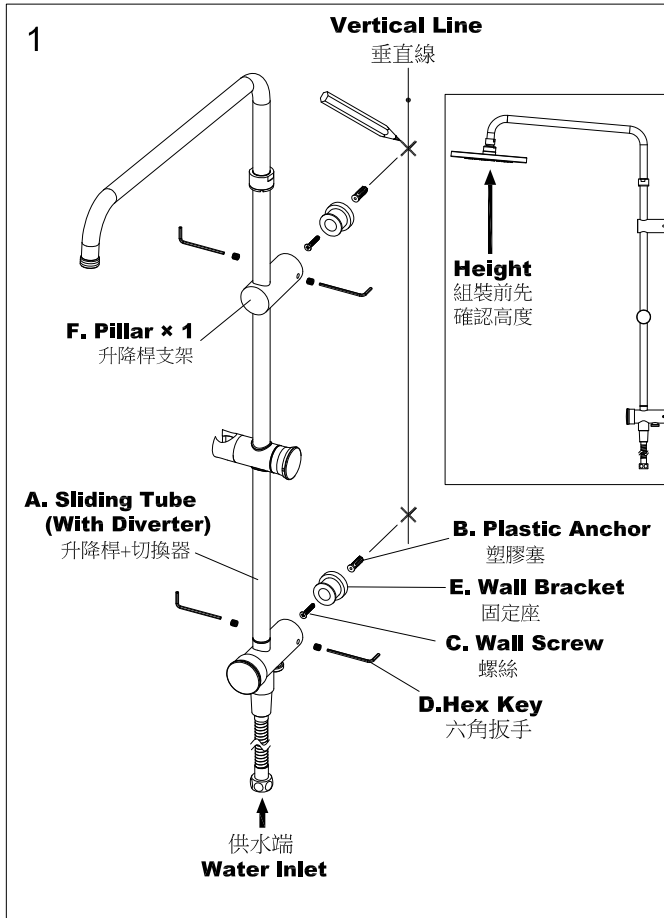


INSTALLATION INSTRUCTIONS

Multiple shower Tube W/Hose 70cm

切換式頂噴組安裝說明



CAUTION : Risk Of Product Damage.

注意：為增加產品使用壽命，請依說明清潔供水管路。

When finished installation, turn the valve on and run for 1 minute before using.

完成安裝後，需在使用前先把供水開關全開排水持續一分鐘。

The faucet should be used at the water pressure from 1 to 6 kg/cm². 適用水壓1~6(kg/cm²)。

1. Determine the height of **Rain Shower** for installation; draw a vertical line on the wall with marking on the drilling positions as Fig. 1 shown. Drill holes and insert **Plastic Anchors** flush with the wall, and then fix the **Wall Brackets** on the wall as fixtures.

組裝前請確認整體高度。畫一條垂直線在牆上，並同時畫上鑽洞用的記號，其位置尺寸如Fig.1所示。鑽孔再裝入塑膠塞並且須與牆壁齊平，裝上牆壁固定座以供安裝使用。

2. Fix the **Pillar** and **Diverter** to the **Wall Brackets**, make them perfectly fit the **Wall Brackets** and then tighten the set screws of both sides of **Pillar** and **Diverter**.

將升降桿支架及升降桿切換器裝到牆壁固定座上，將升降桿切換器及升降桿支架兩邊的埋頭螺絲鎖緊。

3. Insert the **Shower Tube** into the **Sliding Tube** and tighten the **Joint Nut** for fixing; the other side is for **Rain Shower** as Fig. 2 shown.

將淋浴彎管無牙一端裝入升降桿並鎖緊淋浴彎管的螺帽，另一端為安裝頂噴花灑用。如 Fig.2 所示

4. Connect **Diverter** and **water inlet** with **Shower Hose**; the other connection of **Diverter** is for **Hand Shower** as Fig.3 shown.

將蛇管含墊片鎖至連接切換器與供水端，另一處為安裝手持花灑用。如 Fig.3 所示

FIXING CONTENTS

組配件內容

