

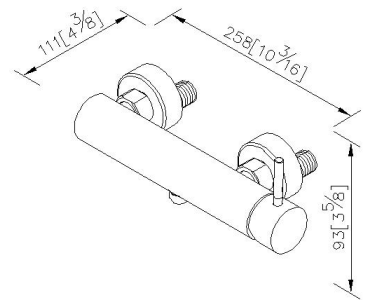
Shower Faucet
6765-93-80P1

INTRODUCTION:

The simple tube-form design, brings out the modern beauty of linear shape. This series combines the refined surface, multiple functions, and humanization operating design as a perfect elegant demonstration of modern bath equipment. In the meanwhile, it inherits the durability and the convenient from the previous product generation, making a comfortable bathing space for customers.

DESCRIPTION:

- 1.Brass of casting body meets ISO CuZn40Pb standard.
- 2.Premium metal construction for durability.
- 3.Justime finishes resist corrosion and tarnish.
- 4.Finish meets the standard of ASTM-SC2.
- 5.The available distance between two centers of wall water-outlet is 122mm to 178mm.
- 6.With R 1/2 to water supply wall outlet.
- 7.Coordinates with other products in Pan1 collection.



unit: mm[inch]

Certification:

Fixing Kits:

N/A

AWARD: