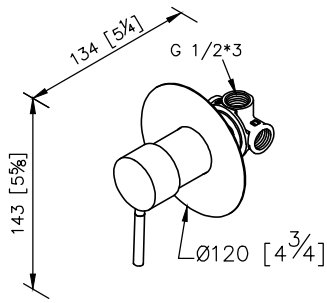


Single-Handle Concealed Valve 6765-XF-80P1



unit: mm[inch]

- 1.Brass of casting body meets ISO CuZn40Pb standard
- 2.Premium metal construction for durability
- 3.Justime finishes resist corrosion and tarnish
- 4.Finish meets the standard of ASTM-SC2
- 5.The mixing valve could be installed in the cemented and wood wall.
- 6.The burying depth of embedded body is between 2"(6cm)Min~3"(7.6cm)Max from the finished wall
- 7.G1/2 inlet
- 8.The faucet should be used at the water pressure from 1 to 6 kg/cm²

