

INSTALLATION INSTRUCTIONS

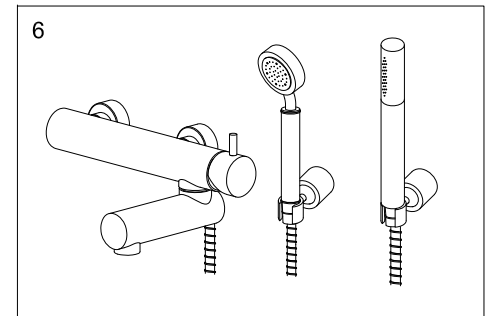
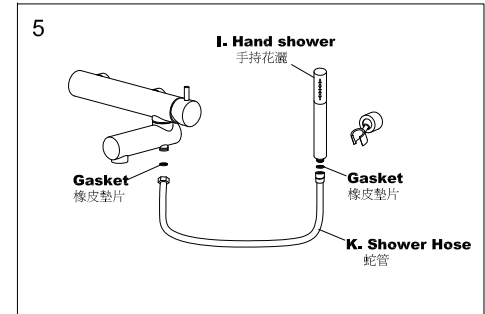
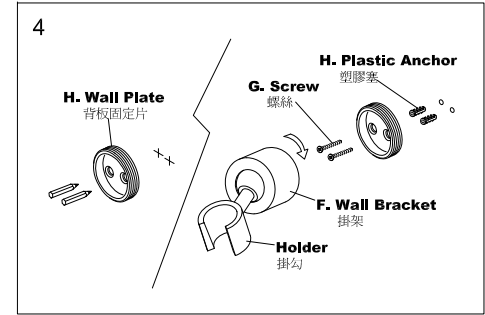
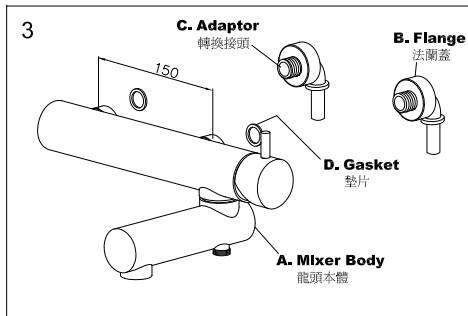
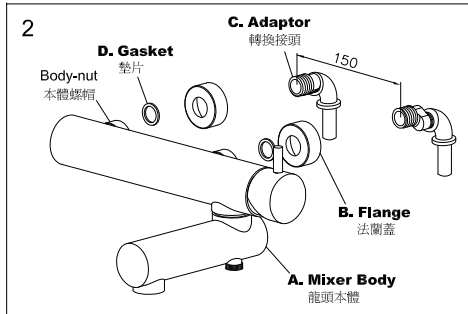
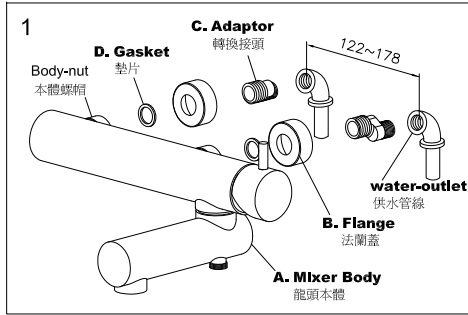
Bath / Shower Mixer 淋浴龍頭安裝說明

CAUTION : Risk Of Product Damage.

注意：為增加產品使用壽命，請依說明清潔供水管路。
When finished installation, turn the valve on and run for 1 minute before using.
完成安裝後，需在使用前先把供水開關全開排水持續一分鐘。

CAUTION : Risk Of Stainless Steel Damage.

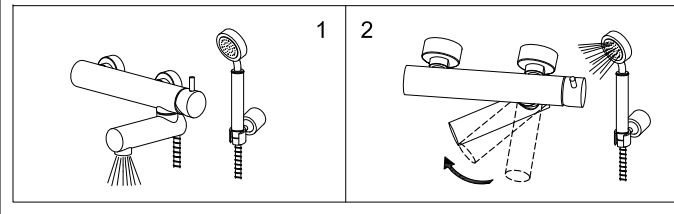
注意：避免損壞不銹鋼產品。
1. Use only mild detergent or cleaner for cleaning.
清潔產品，務必選用中性清潔劑。
2. Cleaners containing chloride (ex. hydrochloric acid) are not recommended. If used, please rinse the surface immediately and exactly to prevent corrosion.
請勿使用含氯化物的清潔劑（如：鹽酸）。如已誤用，請立即使用清水確實洗淨，以避免產品銹蝕。



- The available distance between two centers of wall water-outlet can be 122-178mm as Fig.1 shown.
凡牆壁上冷熱出水孔中心距離在122-178mm者，皆可適合安裝本產品，如 Fig.1 所示。
- Apply pipe compound or thread sealant tape to the thread of **Adaptor 1/2"** end, and screw it into wall water-outlet, meanwhile, adjust the distance between two **Adaptors 3/4"** end to 150mm for **Mixer Body** connection as Fig.2 shown.
將轉換接頭1/2"牙塗上管牙膠或包膠止洩帶，再鎖入牆壁出水口，調整轉換接頭並且鎖定3/4"那邊的中心距為150mm以便安裝龍頭本體，如Fig. 2 所示。
- Cover **Flanges** onto both 3/4" end of **Adaptors**, then insert **Gaskets** into each body-nut and screw the body-nut onto **Adaptors 3/4"** end and tighten fixed as Fig.3 shown.
將2法蘭蓋各別裝上轉換接頭的3/4"那邊，然後將2墊片各別裝入本體螺帽，並且將本體螺帽鎖在轉換接頭3/4"那端鎖緊固定住，如 Fig.3 所示。
- Using **Wall Plate** as a template, mark and drill at proper position then install **Wall Plate** on the wall. Screw **Wall Bracket** onto **Wall Plate** and tighten it. Rotate the **Holder** to correct position as Fig.4 shown.
先決定花灑掛架欲安裝之位置，利用背板固定片上兩孔用鉛筆畫兩個基準點，再使用6mm鑽頭於牆上記號鑽孔。將掛架背板固定於牆上之後，將掛架順時針鎖入背板至鎖緊。將掛勾轉至正確位置如 Fig.4 所示。
- Connect **Shower Hose** with gasket to **Mixer Body** and **Hand Shower** as Fig.5 shown.
將墊片裝入蛇管六角螺帽固定在龍頭本體底部的牙線上，然後將另一片墊片裝入另一端鎖緊在手持花灑如 Fig.5 所示。

Diverter Control (水流切換控制)：

- Turning the spout nose face forward to flow out water from spout.
旋轉出水口使鼻端面向前方即可從出水口出水。
- Turning the spout nose face sideward to spray out water from hand shower.
旋轉出水口使鼻端面向側方即可從手持花灑撒水。



FIXING CONTENTS

組配件內容

A. Mixer Body × 1 龍頭本體 	B. Flange × 2 法蘭蓋 	D. Gasket × 2 橡皮墊片 	F. Wall Bracket × 1 掛架 	G. Screw × 2 螺絲 	I. Hand shower × 1 手持花灑
	C. Adaptor × 2 轉換接頭 	E. Wall Plate × 1 背板固定片 		H. Plastic Anchor × 2 塑膠塞 	J. Shower Hose × 1 蛇管
					K. Hand Shower Tool × 1 手持花灑工具