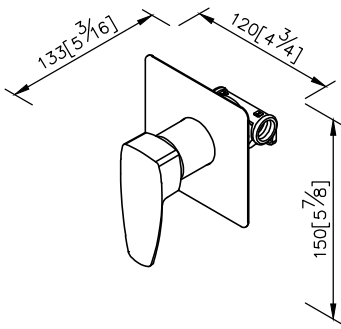


Single-Handle Concealed Valve
6779-XV-80CP



unit: mm[inch]

1. Ceramic valve with CERAMTEC ceramic disc / (Germany)
2. The mixing valve could be installed in the cemented and wood wall.
3. G1/2 inlet.
4. The faucet should be used at the water pressure from 1 to 6 kg/cm².
5. Chrome plated finish meets the standard of ASTM-SC2.
6. Material of handle meets JIS 3771 standard.
7. Material of faceplate is stainless steel SUS 304.
8. Handle can be moved up to 22° to adjust water flow from closed position; hot and cold water controlled by swinging handle for 45° both right and left sides.
9. Past 500,000 times lifespan test.

