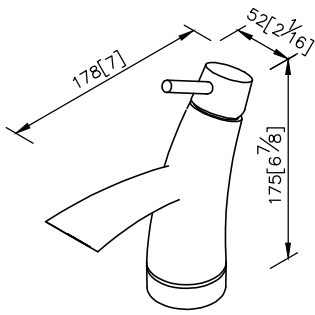


Basin Faucet
6780-91-80CP



unit: mm[inch]

1. Ceramic valve with CERAMTEC ceramic disc / (Germany)
2. Handle can be moved up to 22° to adjust water flow from closed position; hot and cold water controlled by swinging handle for 45° both right and left sides.
3. Stainless steel braided hose with SANTOPRENE tube (meets NSF approval), can stand 15Kg/cm2 water pressure and 120°C heat.
4. Stainless steel braided hose with M10 x 1.0mm (Male thread connect to faucet body) and 1/2"-14NPSM (Female thread connect to water supply system).
5. Brass with Chrome plated meets ASTM-SC2 standard.
6. Casting material meets ISO CuZn40Pb Standard
7. Handle material meets JIS 3771 Standard

