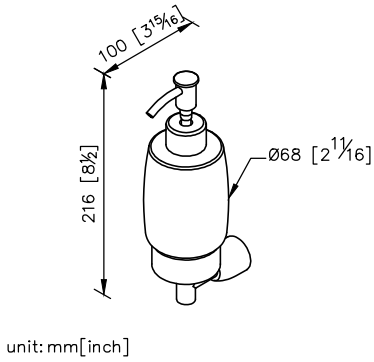


**Soap Dispenser**  
**6804-25-80SS**



- 1.High Quality Brass.
- 2.Premium metal construction for durability.
- 3.Justime finishes resist corrosion and tarnish.
- 4.Finish meets the standard of ASTM-SC2.
- 5.The cone plinth of the bathroom accessories could increase the elegance for environment.
- 6.Finished: Brushed Nickel with Lacquer, fingerprint-resistant on the surface.
- 7.Correctly installed product's loading is 2 kgf.
- 8.Frosted glass soap dispenser.
- 9.1.5cc for each dispense.
- 10.Capacity: 240ml.
- 11.The hollow plinth design could stably the glass soap dispenser.

