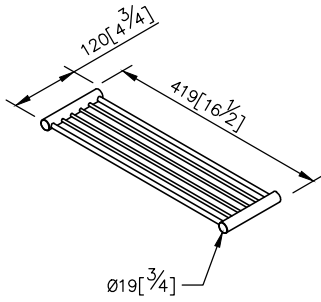


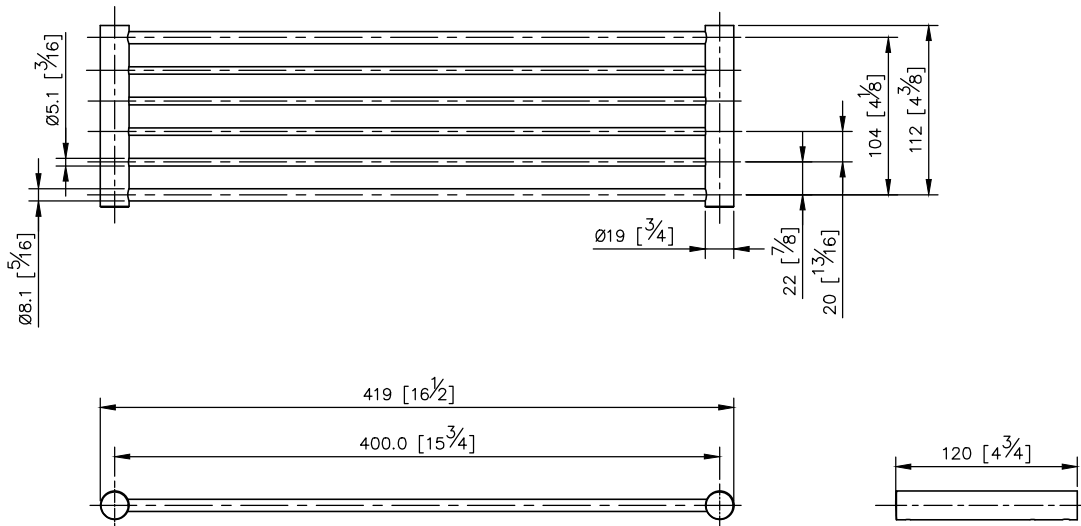
## Shelf

6807-72-80CP



- 1.Brass of body meets JIS 3604 standard.
- 2.Premium metal construction for durability.
- 3.Justime finishes resist corrosion and tarnish.
- 4.Finish meets the standard of ASTM-SC2.
- 5.Correctly installed product's loading is 5 kgf.
- 6.Coordinates with other products in Still One Collection.
- 7.The design of rack can decrease the water accumulated.
- 8.The size of shelf : 400mm.

unit: mm[inch]



### Mounting Template Specification

