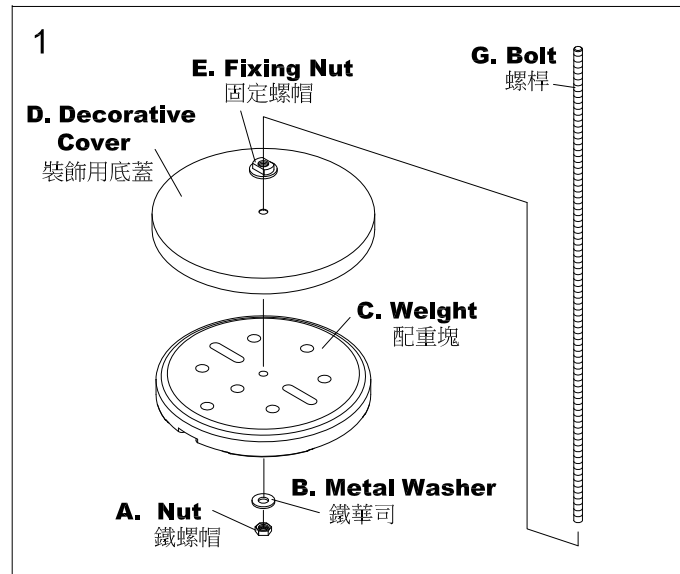
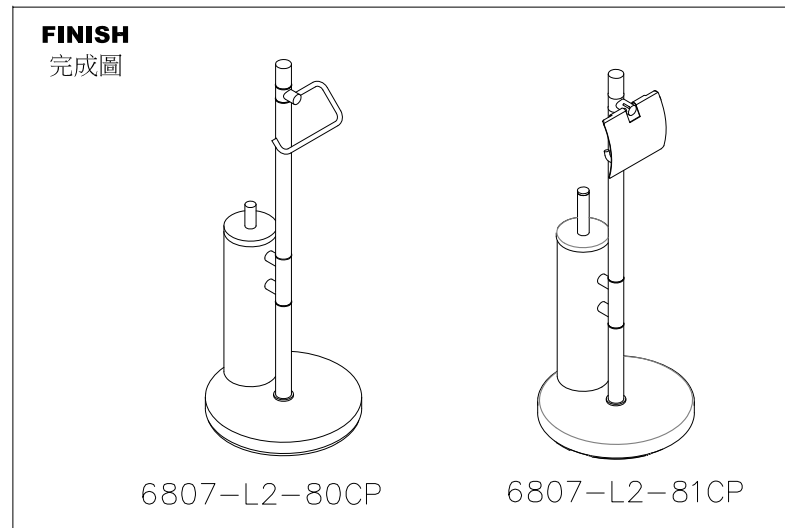
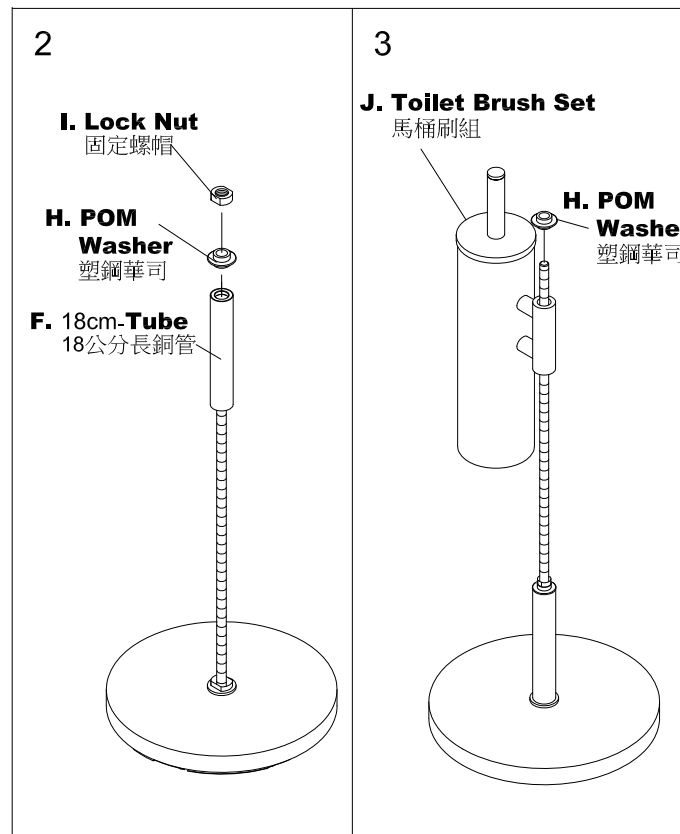
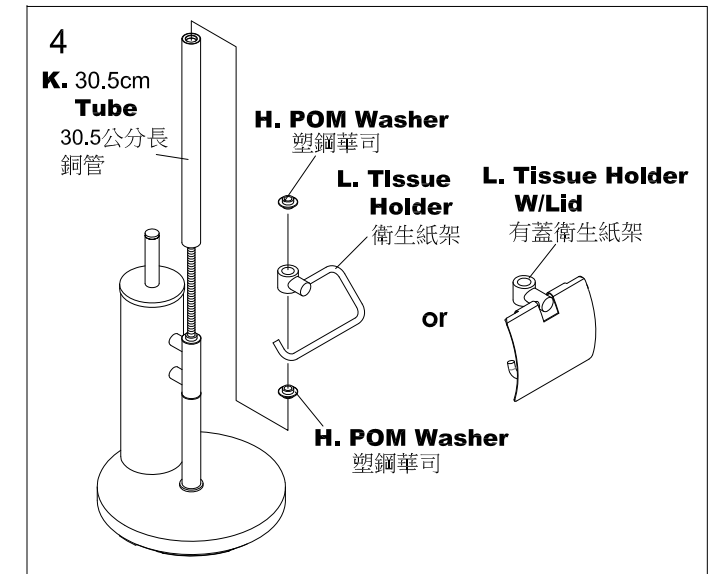


INSTALLATION INSTRUCTIONS

Freestanding Toilet Stand 立式馬桶刷+衛生紙架組



1. Secure the **Bolt** with **Decorative Cover** and **Weight** together as fig# 1 shown.
先將牙條與裝飾用底蓋、配重塊固定在一起，如圖示1.
2. Slide **18cm-Tube** and **POM Washer** onto the **Bolt**, and then tighten with **Lock Nut**.
將18公分長銅管和塑鋼華司套入牙條，用固定螺帽鎖緊固定，如圖示2.
3. Slide **Toilet Brush Set** and **POM Washer** onto the **Bolt** as fig# 3 shown.
將馬桶刷組和塑鋼華司套入牙條，如圖示3.
4. Slide **30.5cm-Tube**, **Tissue Holder** and **POM Washers** onto the **Bolt** as fig# 4 shown.
將30.5公分長銅管與衛生紙架組和塑鋼華司套入牙條，如圖示4.
5. Hand screw the **Retaining Nut** onto the **Bolt** to secure and keep the **Tissue Holder** rotate smoothly, and then tighten the **Set Screw** to fix the **Retaining Nut** in place as fig# 5 shown.
將定位螺帽套入牙條，用手鎖緊並調整衛生紙架組使之旋轉順暢，再用六角扳手鎖緊埋頭螺絲以固定定位螺帽，如圖示5.
6. Tighten **End Cap**.
鎖緊終端裝飾蓋，即完成安裝程序。



FIXING CONTENTS

組配件內容

