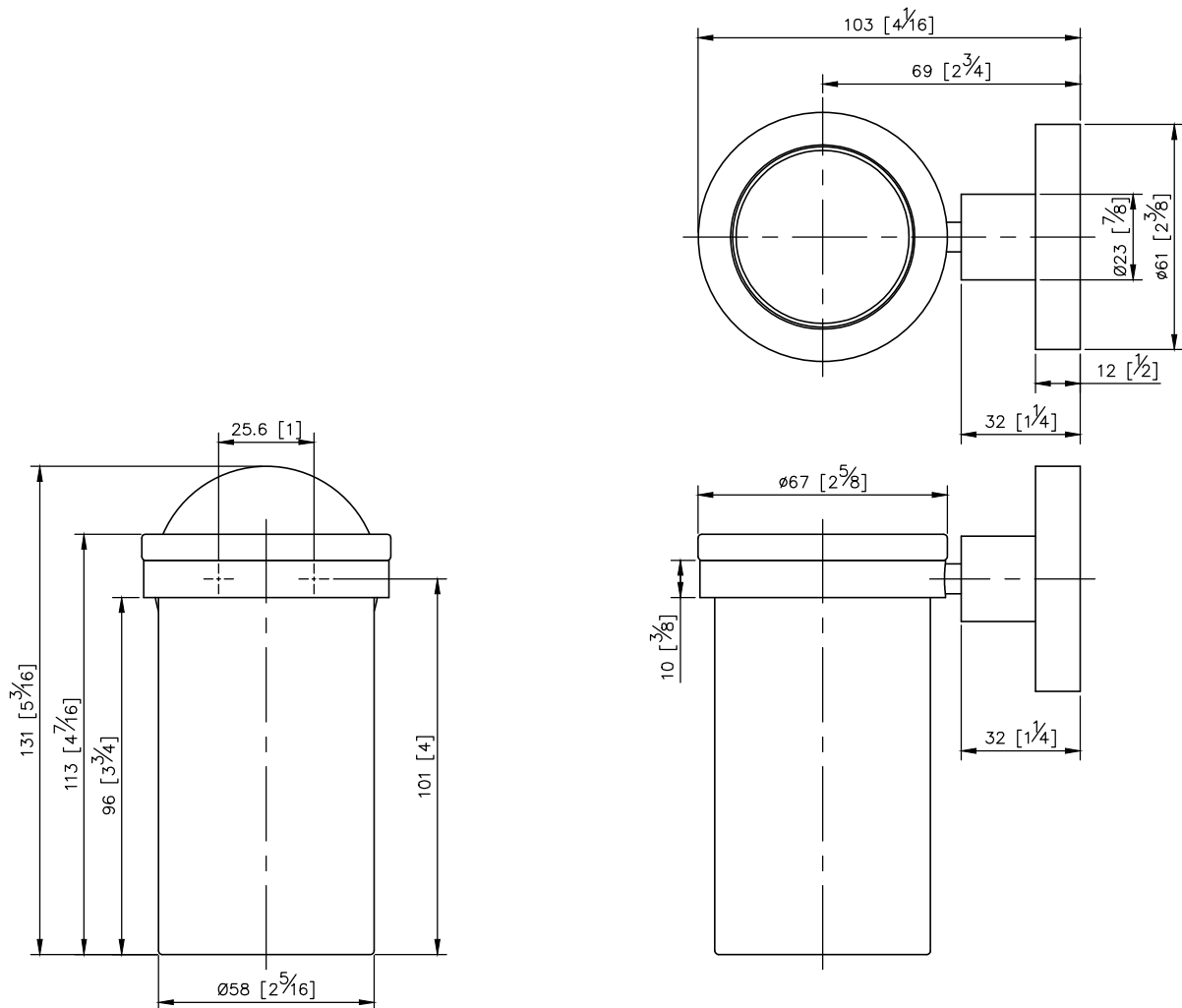


unit: mm[inch]

## Tumbler Holder 6810-31-80CP

- 1.Brass of forging body meets JIS 3771 standard
- 2.Premium metal construction for durability
- 3.Justime finishes resist corrosion and tarnish
- 4.Finish meets the standard of ASTM-SC2.
- 5.The simply design concept could be collocated with diverse space
- 6.Correctly installed product's loading is 2 kg f
- 7.Frosted glass tumbler
- 8.Capacity: 180ml
- 9.Coordinates with other products in 6810 collection



### Mounting Template Specification

