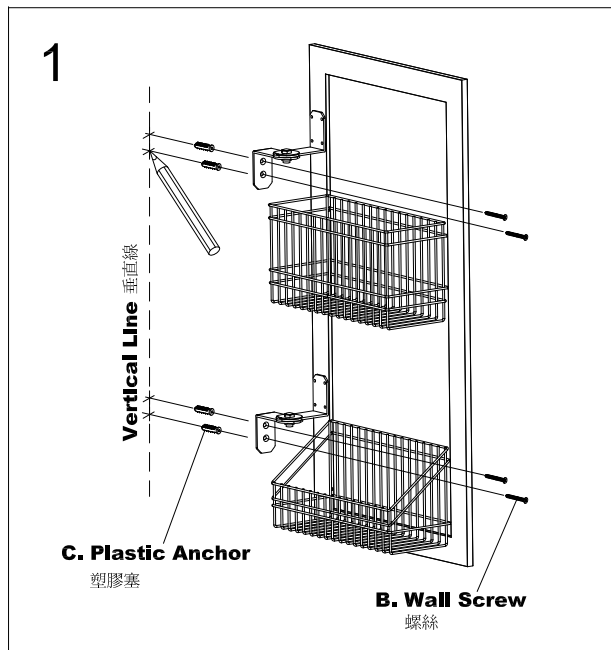


INSTALLATION INSTRUCTIONS

Mirror With Caddy W/Shlf 旋轉鏡籃子組安裝說明



1. Select proper position on a vertical line with **Mirror With Caddy** and mark 4 centers of mounting hole on the wall.

請先將旋轉鏡籃子組選取預定安裝的位置，並用後支架孔在牆壁上畫上預定鑽孔記號須在垂直線上。

2. Use a 6mm drill-bit, drill the holes in marked positions to a depth of 4cm. Insert the **Plastic Anchors** into the holes flush with the wall and install the **Mirror With Caddy with Wall Screws** on the wall.

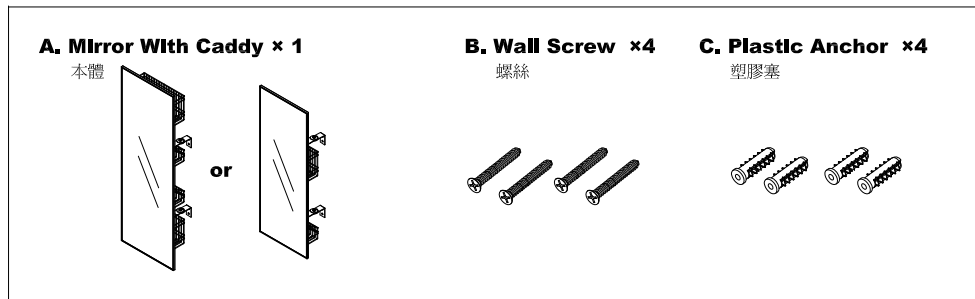
當安裝在水泥牆，使用1/4英寸(6mm)鑽頭，鑽孔深度4公分，嵌入塑膠塞並使之齊平於面，將旋轉鏡籃子組以螺絲鎖緊在牆上。

CAUTION : Risk Of Product Damage.

注意：未避免損壞產品功能，請勿自行拆解鉸鏈旋轉結構。
Do not disassemble the hinges anytime.

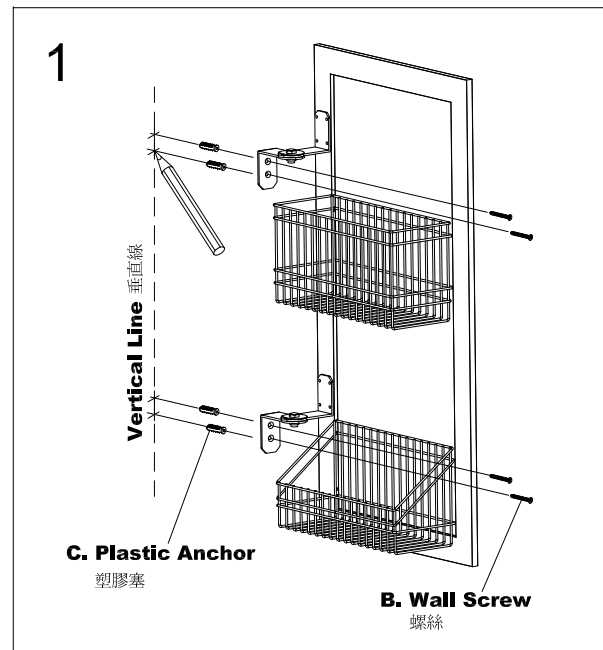
FIXING CONTENTS

組配件內容



INSTALLATION INSTRUCTIONS

Mirror With Caddy W/Shlf 旋轉鏡籃子組安裝說明



1. Select proper position on a vertical line with **Mirror With Caddy** and mark 4 centers of mounting hole on the wall.

請先將旋轉鏡籃子組選取預定安裝的位置，並用後支架孔在牆壁上畫上預定鑽孔記號須在垂直線上。

2. Use a 6mm drill-bit, drill the holes in marked positions to a depth of 4cm. Insert the **Plastic Anchors** into the holes flush with the wall and install the **Mirror With Caddy with Wall Screws** on the wall.

當安裝在水泥牆，使用1/4英寸(6mm)鑽頭，鑽孔深度4公分，嵌入塑膠塞並使之齊平於面，將旋轉鏡籃子組以螺絲鎖緊在牆上。

CAUTION : Risk Of Product Damage.

注意：未避免損壞產品功能，請勿自行拆解鉸鏈旋轉結構。
Do not disassemble the hinges anytime.

FIXING CONTENTS

組配件內容

