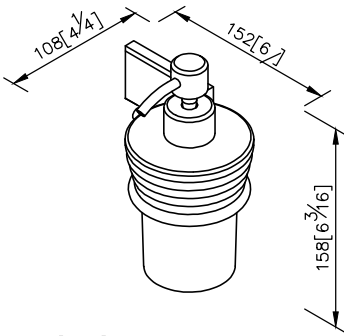


Soap Dispenser
6891-25-80CP



unit: mm[inch]

- 1.Brass forging faceplate meets JIS 3771 standard.
- 2.Brass supporting ring material meets JIS 3604 standard.
- 3.Justime finishes resist corrosion and tarnish.
- 4.Chrome plated finish meets the standard of ASTM-SC2
- 5.Frosted glass soap dispenser increases visual softness.
- 6.Vertical force could support a static load of 2 Kgf.
- 7.Capacity of the dispenser is 200ml.
- 8.Coordinates with other products in 6891 collection.

