

## Towel Bar

### 6892-10-80CP

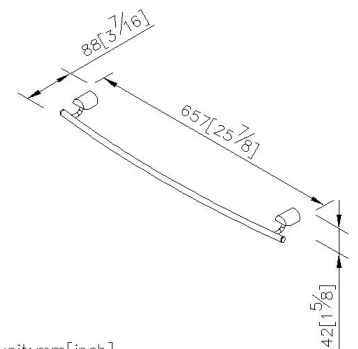
#### INTRODUCTION:

The main base has been designed with geometrical shape and curved rods, which brings the warm and comfortable atmosphere for bathroom.



#### DESCRIPTION:

- 1.Brass forging mounting base meets JIS 3771 standard.
- 2.Brass body meets JIS 3604 standard.
- 3.Brass towel bar meets JIS C2700 standard.
- 4.Chrome plated finish meets the standard of ASTM-SC2.
- 5.Vertical force could support a static load of 4 Kgf.
- 6.The size of towel bar: 600mm.
- 7.Coordinates with other products in 6892 collection.



#### Certification:

#### Fixing Kits:

- 1.SUS 304 Stainless Steel Screws \*4
- Hex Key 1/8" \*1
- Plastic Anchors \*4

#### AWARD: