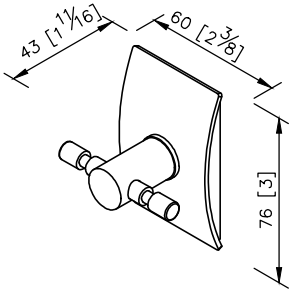
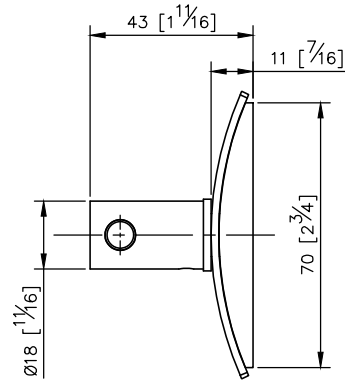
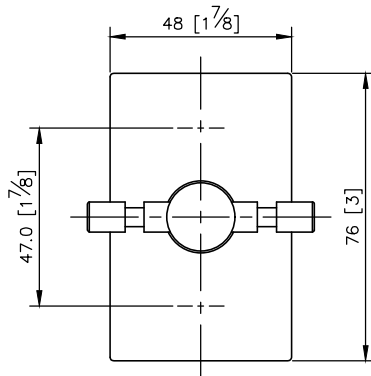
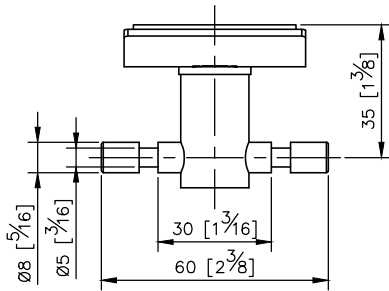


**Robe Hook**  
6899-51-80S1



unit: mm[inch]

1. Stainless steel faceplate with brushed finish.
2. Plastic mounting base with brass core.
3. Stainless Steel faceplate and hook meet SUS 304 standard.
4. Premium metal construction for durability.
5. Justime finishes resist corrosion and tarnish.
6. Finish meets the standard of ASTM-SC2.
7. Correctly installed product loading is 5 Kgf.
8. Equipped with stainless steel screws to secure installation.
9. Coordinates with other products in 6899 collection.



**Mounting Template Specification**

