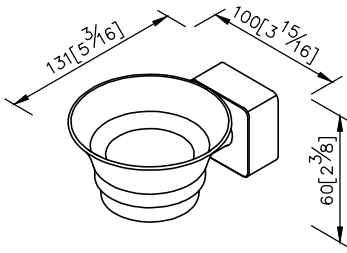
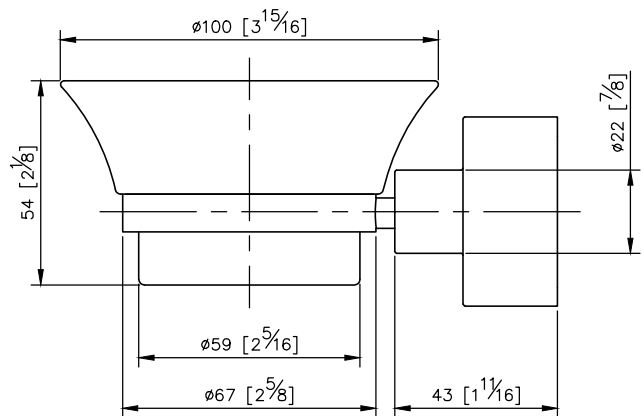
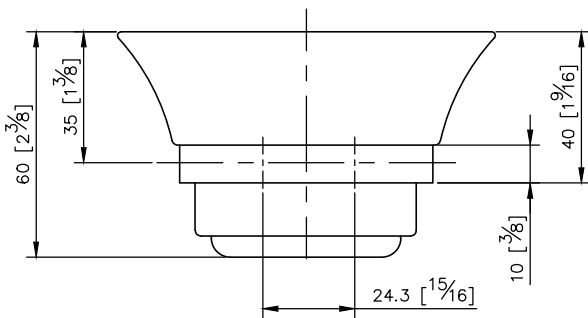
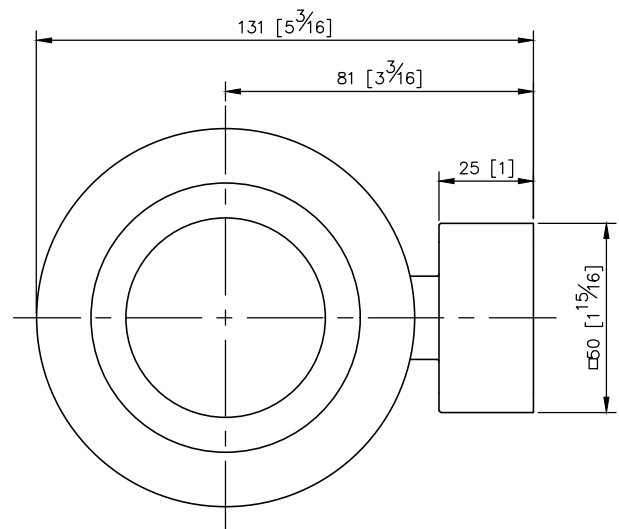


Soap Dish
6900-20-80CP



1. Brass forging mounting base and ring meet JIS 3771 standard.
2. Premium metal construction for durability.
3. Justime finishes resist corrosion and tarnish.
4. Chrome plated finish meets the standard of ASTM-SC2.
5. Vertical force could support a static load of 2 Kgf.
6. Porcelain white soap dish.
7. Coordinates with other products in 6900 collection.

unit: mm[inch]



Mounting Template Specification

