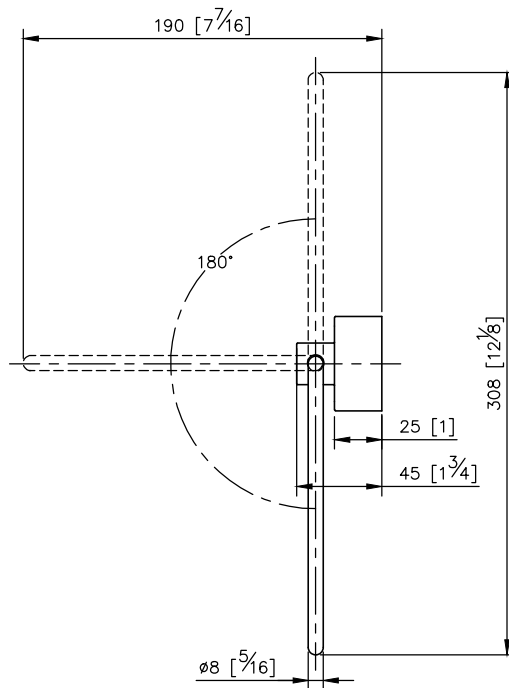
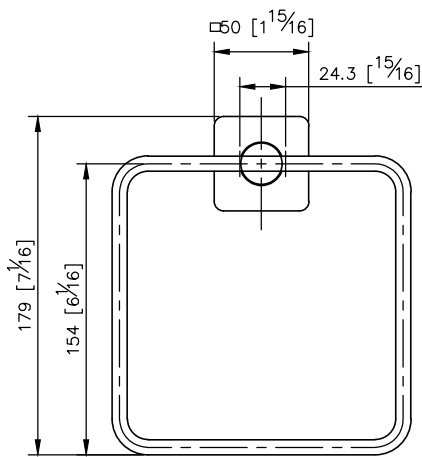
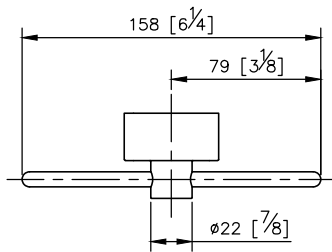


**Towel Ring**  
**6900-60-80CP**

1. Brass forging mounting base meets JIS 3771 standard.
2. Brass ring meets JIS 3604 standard.
3. Justime finishes resist corrosion and tarnish.
4. Chrome plated finish meets the standard of ASTM-SC2.
5. Vertical force could support a static load of 4 Kgf.
6. Coordinates with other products in 6900 collection.

unit: mm[inch]



**Mounting Template Specification**

