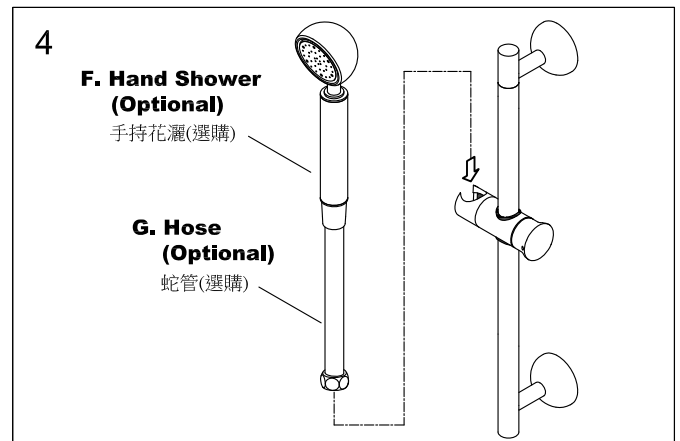
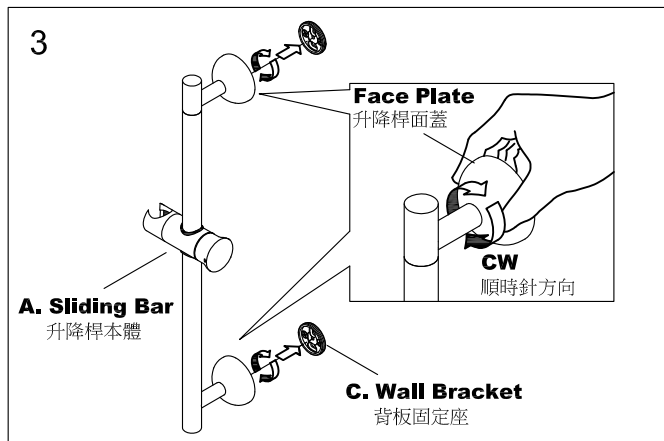
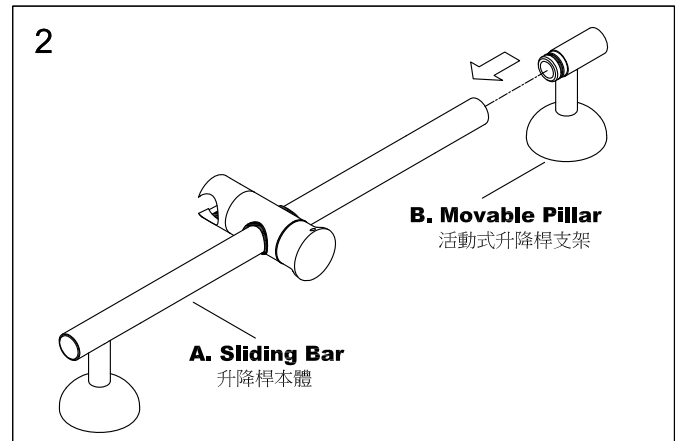
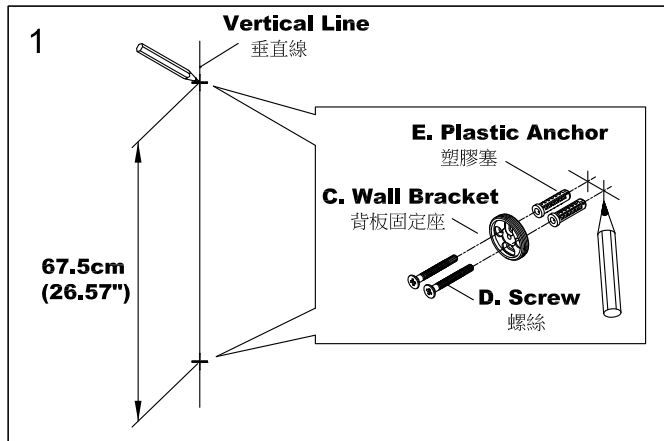


INSTALLATION INSTRUCTIONS

SLIDING BAR SET 升降桿組安裝說明



1. Select desired position of two **Wall Brackets** on a vertical line and the distance between **Wall Brackets** centers is 67.5cm(26.57"), using **Wall Brackets** as a template and mark centers of the drill holes as the Fig.1 shown.
在垂直線段上選擇適當位置安裝兩塊背板固定座，使其中心距離為67.5cm(26.57")，再以背板固定座為模板畫上鑽孔記號。如 Fig.1 所示。
2. Using a 6mm drill-bit to drill holes at marked positions to a depth of 4cm. Insert the **Plastic Anchors** into the holes flush with wall, and then fix the **Wall Brackets** with the **Screw(s)**.
當安裝在水泥牆，使用1/4英寸鑽頭，鑽孔深度4公分，嵌入塑膠塞並使之齊平於牆面，將背板固定座以螺絲鎖緊在牆上。
3. Joint the **Movable Pillar** into the top end of **Slide Bar** as the Fig. 2 shown.
將活動式升降桿支架塞入連接升降桿本體上端，使兩者結合在一起。如 Fig.2 所示。
4. Screw the two **Face plates** onto **Wall Brackets** simultaneously to assemble **Sliding Bar** firmly till the face plates against finished wall as the Fig.3 & 4.
雙手各握住升降桿組上下兩端升降桿面蓋，以順時針方向同時旋轉上下端升降桿面蓋，使其鎖入背板固定座至貼於牆面。如 Fig.3、4 所示，完成安裝程序。

FIXING CONTENTS

組配件內容

