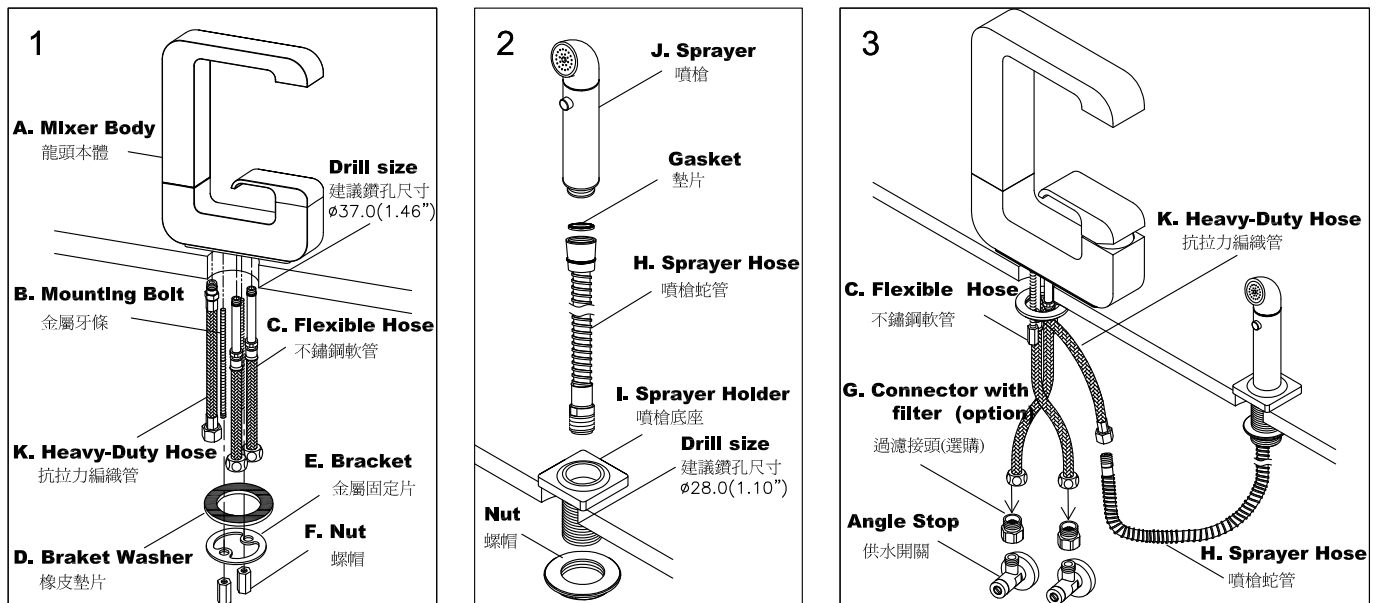


# INSTALLATION INSTRUCTIONS

## Single-Handle Lavatory Faucet 單把手混合龍頭安裝說明

PATENT NUMBER:  
專利號碼:  
001018899-0005  
D129784  
ZL 2008 3 0257797.9



### CAUTION : Risk Of Product Damage.

注意：為增加產品使用壽命，請依說明清潔供水管路。

- Turn the angle stops (water suppliers) on and run for 1 minute before connect supply hose (flexible hose) to faucet body. or b./  
安裝編織管之前，先把供水開關全開排水一分鐘。或 b./
- Connect and tighten the faucet and angle stops with supply hose (flexible hose) to finish installation, then remove the aerator, fully turn on the hot and cold water valves on faucet and run for 1 minute, then turn off the water and reinstall the aerator.  
把龍頭、供水開關及編織管接好並鎖緊之後，把起泡器移開，把熱水及冷水全部轉開一分鐘，然後把水關掉再把起泡器裝回去。

- Thread **Flexible Hoses**, **Heavy-Duty Hose**, and **Mounting Bolts** into the **Faucet Body**, and slide over the **Bracket Washer** and **Bracket**. Insert the **Bracket** into the **Mounting Bolts** and then tighten the **Nut**.

將冷熱進水不鏽鋼條軟管、抗拉力編織管和金屬牙條鎖緊固定於龍頭本體，再將冷熱進水不鏽鋼軟管、抗拉力編織管和金屬牙條穿過檯面洞口後，從金屬牙條下方依序套入橡皮墊片、金屬固定片和螺帽，確認方向位置後，鎖緊螺帽固定龍頭即可。

- Disassemble the **Nut** from **Sprayer Holder** first, penetrate the holder into the hole of deck, and then fix the **Sprayer Holder** with **Nut**. Assemble **Sprayer** with **Hose**, and then pass the **Hose** through **Holder**.

將噴槍底座上的螺帽鬆開，然後將噴槍底座穿過檯面洞口，鎖緊螺帽固定噴槍底座，組合噴槍蛇管與噴槍後將噴槍蛇管穿過噴槍底座。

- Connect the Flexible Hoses of Hot and Cold water to **Angle Stops** separately, and then connect the **Hose** and **Heavy-Duty Hose** tightly to finish the installation.

連接冷熱進水不鏽鋼軟管到供水開關，並連結鎖緊噴槍蛇管與抗拉力編織管，確認完成安裝程序。

## FIXING CONTENTS

### 組配件內容

