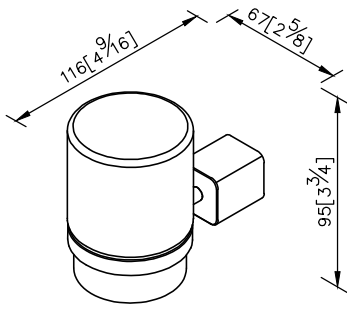
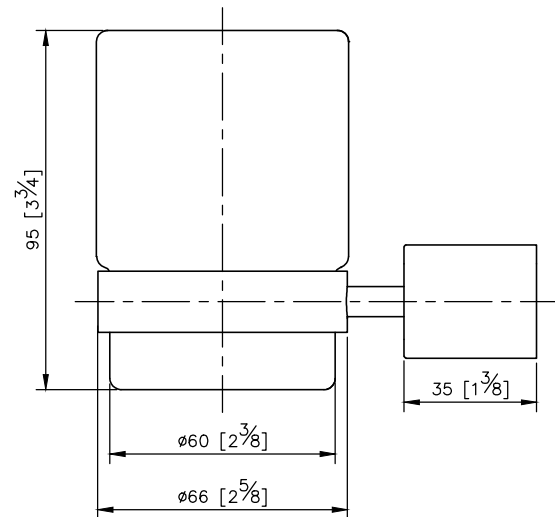
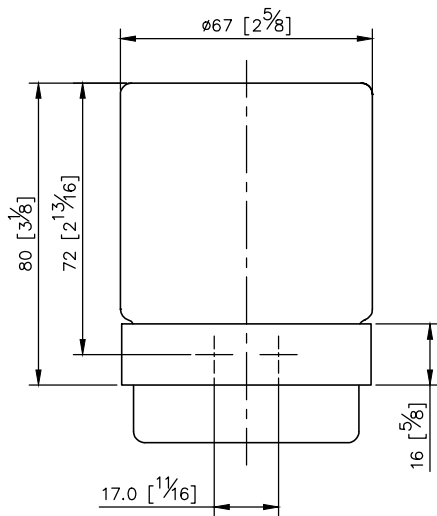
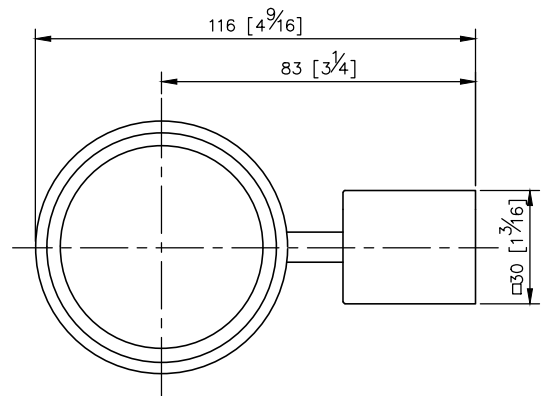


Tumbler Holder
6909-31-80CP



1. Brass mounting base meets JIS 3604 standard.
2. Brass forging ring meets JIS 3771 standard.
3. Justime finishes resist corrosion and tarnish.
4. Chrome plated finish meets the standard of ASTM-SC2.
5. Vertical force could support a static load of 2 Kgf.
6. Clear glass tumbler, capacity is 180ml.
7. Coordinates with other products in 6909 collection.

unit: mm[inch]



Mounting Template Specification

