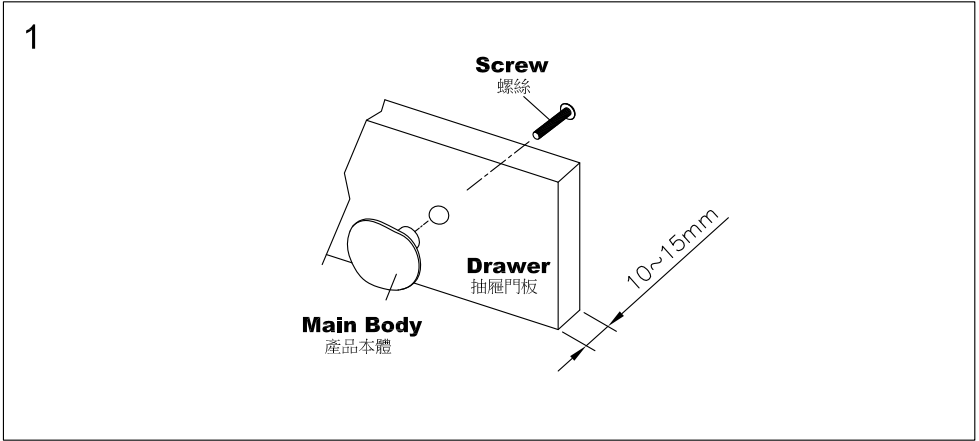


INSTALLATION INSTRUCTIONS

Drawer Handle

抽屜把手安裝說明



1. Select a proper position for product and mark the center of drilling.
請先選取預定安裝的位置,並在安裝面上畫上預定鑽孔記號。
2. Use a 5mm drill-bit to drill through the panel of drawer or cabinet, and then fix the product with provided screw to finish the installation.
安裝抽屜把手時,使用5mm鑽頭,鑽孔貫穿抽屜門板,接著將螺絲與產品本體鎖付在抽屜面板上,即可完成安裝。

△ Notice: The available thickness of panel is 10~15mm. If the thickness is over this request, you need to purchase another suitable screw.

本產品所附螺絲適合於10~15mm門板厚度,厚度如超出適合厚度須另外選配適合之螺絲。

FIXING CONTENTS

組配件內容

