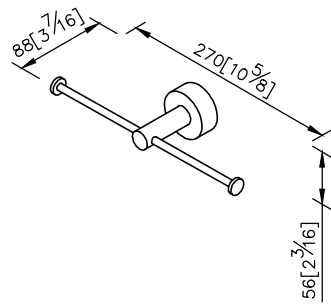


Double Toilet Tissue Holder 6910-44-80CP



- 1.Brass forging mounting base meets JIS 3771 standard.
- 2.Brass bracket & tissue bar meet JIS 3604 standard.
- 3.Brass with chrome plated finish meets the standard of ASTM-SC2.
- 4.The pedestal could increase the stability for user.
- 5.Correctly installed product loading is 5 Kgf.
- 6.The cylinder pedestal of the bathroom accessories could increase the elegance for environment.
- 7.Coordinates with other products in 6910 collection.

unit: mm[inch]

