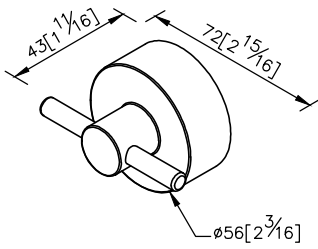
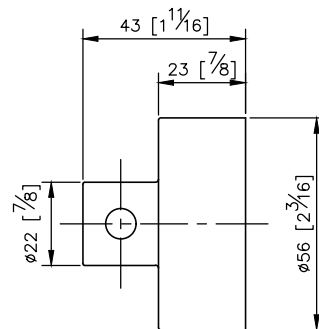
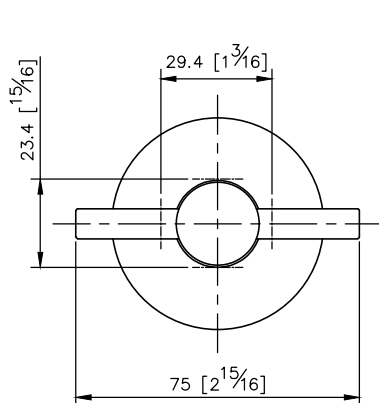
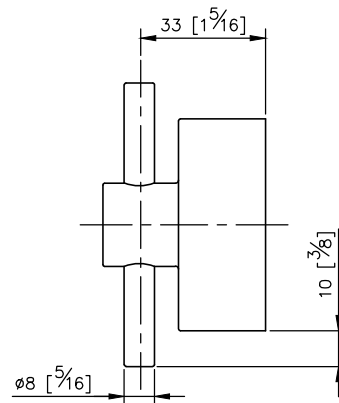


Robe Hook
6910-52-80CP



- 1.Brass hook meets JIS 3604 standard.
- 2.Brass forging mounting base meets JIS 3771 standard.
- 3.Justime finishes resist corrosion and tarnish.
- 4.Chrome plated finish meets the standard of ASTM-SC2.
- 5.Correctly installed product loading is 5 Kgf.
- 6.Equipped with stainless steel screws to secure installation.
- 7.Coordinates with other products in 6910 collection.

unit: mm[inch]



Mounting Template Specification

