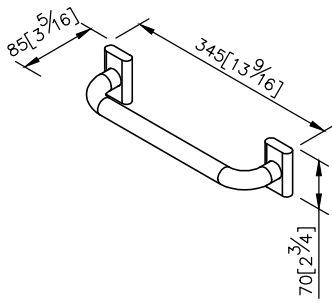


Grab Bar
6920-55-80CP



- 1.Brass forging faceplate meets JIS 3771 standard.
- 2.Brass grab bar meets JIS 3604 standard.
- 3.Justime finishes resist corrosion and tarnish.
- 4.Chrome plated finish meets the standard of ASTM-SC2.
- 5.Grab bar length 300mm.
- 6.Vertical force could support a static load of 120 Kgf.
- 7.Coordinates with other products in 6920 collection.

unit: mm[inch]

