

Shelf

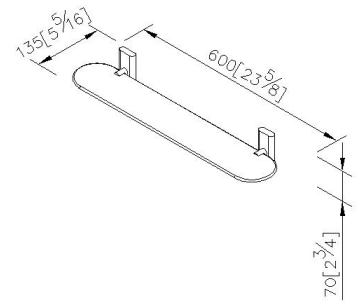
6923-70-80T1

INTRODUCTION:

This design concept of Vitality series bathroom accessories provides a kind of transparent acryl collocating with totem stamping or simple main body's bathroom hanging structure form. This series gets rid of traditional single metal or plastic bathroom accessories and uses totem stamping or vivid various colors to enhance the charm and value of our product. Therefore, our products can beautify the life quality and give users more choices.

DESCRIPTION:

- 1.Brass of casting body meets JIS 3604 standard.
- 2.Premium metal construction for durability.
- 3.Justime finishes resist corrosion and tarnish.
- 4.Finish meets the standard of ASTM-SC2.
- 5.Vertical force could support a static load of 5 kgf.
- 6.Clean tempered glass shelf.
- 7.Coordinates with other products in Vitality collection.



unit: mm[inch]

Certificaiton:

Fixing Kits:

- SUS 304 Stainless Steel Screws*4.
- Plastic Anchors*4.
- Material of Wall Mount Bracket: Steel with zinc plating*2.

AWARD:

