

## Simple

### Soap Dispenser 7810-25-80S1

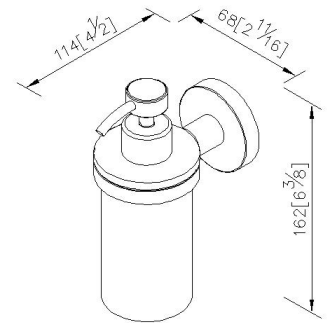
#### INTRODUCTION:

The round base and cylinder bracket with the brush surface finish display the classical style.



#### DESCRIPTION:

1. Stainless Steel body meets SUS 304 standard.
2. Premium metal construction for durability.
3. Justime finishes resist corrosion and tarnish.
4. The simply design concept could be collocated with diverse space.
5. Vertical force could support a static load of 2 kgf.
6. Frosted glass soap dispenser.
7. 1.0cc for each dispense.
8. Capacity: 140ml.
9. Coordinates with other products in 7810 collection.



unit: mm[inch]

#### Certificaion:

#### Fixing Kits:

- SUS 304 Stainless Steel Screws\*2
- Hex Key 2.0mm\*1
- Plastic Anchors\*2
- Material of Wall Mount Bracket: Stainless Steel (SUS 304)\*1

#### AWARD: