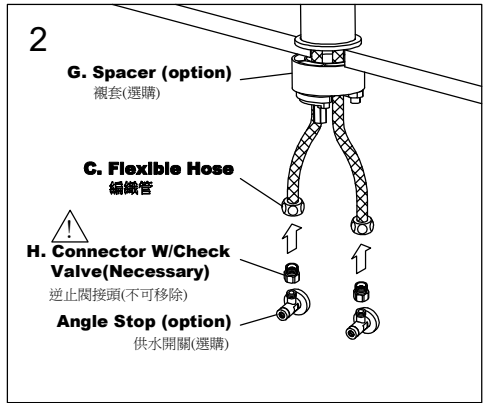
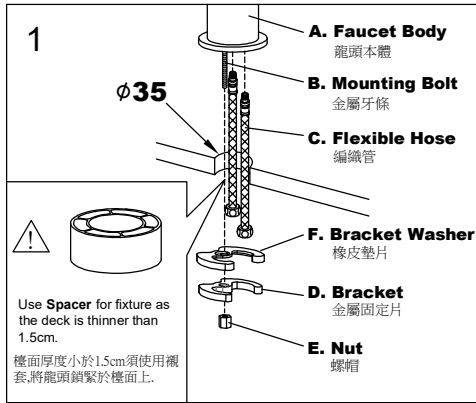


INSTALLATION INSTRUCTIONS

Kitchen Faucet / Basin Faucet

廚房龍頭 / 臉盆龍頭安裝說明



CAUTION : Prevent The Risk Of Product Damage.

注意：為增加產品使用壽命，請依說明清潔供水管路。

Turn the angle stops (water suppliers) on and run for 1 minute before connect supply hose (flexible hose) to faucet body.

安裝編織管之前，先把供水開關全開排水一分鐘。

Available water pressure for faucet is from 1.5 to 3.0 Kg/cm²
龍頭適用水壓為1.5到3.0Kg/cm²

⚠ Use **Spacer** for fixture as the deck is thinner than 1.5cm.
檯面厚度小於1.5cm須使用襯套,將龍頭鎖緊於檯面上。

1. Screw **Mounting Bolt** into bottom of **Faucet Body**, insert **Flexible Hoses** through deck hole and screw into the bottom of **Faucet Body**, position **Faucet Body** on fixture and place **Bracket** with **Bracket Washer** and **Nut** onto **Mounting Bolt**, then tighten **Nut** securely.

將金屬牙條鎖緊固定於龍頭本體。同時，將編織管穿過洗臉盆(檯)洞口並且鎖入龍頭本體，從金屬牙條下方依序套入橡皮墊片、金屬固定片和螺帽，確認方向位置後，鎖緊螺帽固定龍頭即可。

2. Connect Hot & Cold **Flexible Hoses** and **Connector W/Check Valve** to angle stops.
連接冷熱進水編織管與逆止閥接頭到供水開關，確認完成安裝程序。

FIXING CONTENTS

組配件內容

