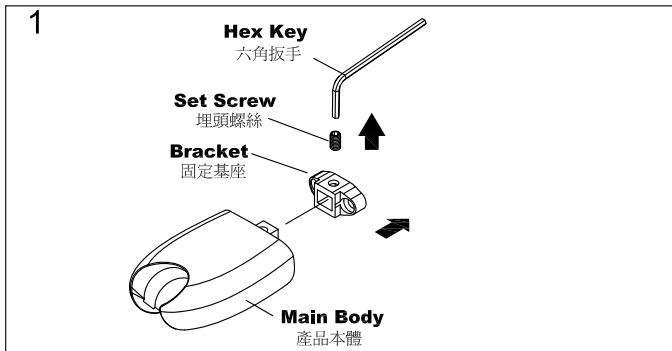


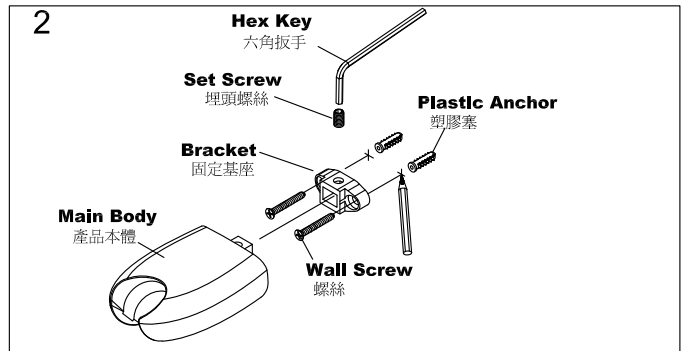
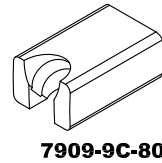
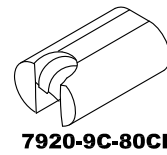
# INSTALLATION INSTRUCTIONS

## Adjustable Wall Bracket 安裝說明

- At first, separate the **Bracket** and **Main Body** by loosening the **Set Screw** with **Hex Key**.  
先用六角扳手將固定基座與本體分離。
- Select a proper position for product, and using the **Bracket** as a template to mark two centers of mounting holes on the wall.  
請先選擇適合安裝的位置，將基座放在牆上為模板作鑽孔記號。
- Using a 6mm drill-bit, drill holes on marked positions to the depth of 4cm, then insert the **Plastic Anchors** in the holes on wall and fix **Bracket** with **Wall Screws**. Please keep the hole of **Bracket** upward.  
使用6mm的鑽頭，在作記號的位置鑽深度4mm的孔，填入塑膠塞於孔內後以螺絲固定基座。請注意基座上的固定小孔須保持向上。
- Insert the click-join of **Main Body** into the square hole of **Bracket**, and then tighten **Set Screw** to fix the **Main Body** with **Bracket**.  
將產品本體套進基座上的方型孔洞後，再鎖緊上方的埋頭螺絲以固定產品本體和基座。



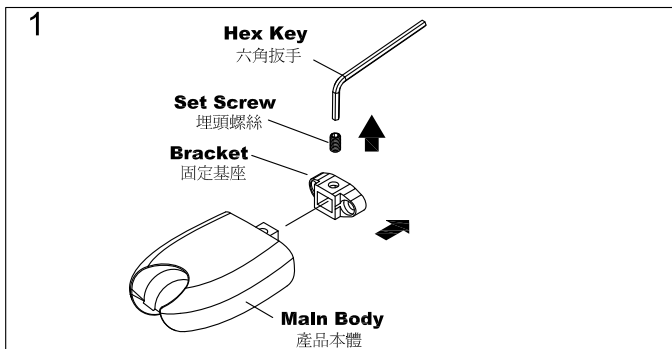
## Adjustable Wall Bracket SERIES:



# INSTALLATION INSTRUCTIONS

## Adjustable Wall Bracket 安裝說明

- At first, separate the **Bracket** and **Main Body** by loosening the **Set Screw** with **Hex Key**.  
先用六角扳手將固定基座與本體分離。
- Select a proper position for product, and using the **Bracket** as a template to mark two centers of mounting holes on the wall.  
請先選擇適合安裝的位置，將基座放在牆上為模板作鑽孔記號。
- Using a 6mm drill-bit, drill holes on marked positions to the depth of 4cm, then insert the **Plastic Anchors** in the holes on wall and fix **Bracket** with **Wall Screws**. Please keep the hole of **Bracket** upward.  
使用6mm的鑽頭，在作記號的位置鑽深度4mm的孔，填入塑膠塞於孔內後以螺絲固定基座。請注意基座上的固定小孔須保持向上。
- Insert the click-join of **Main Body** into the square hole of **Bracket**, and then tighten **Set Screw** to fix the **Main Body** with **Bracket**.  
將產品本體套進基座上的方型孔洞後，再鎖緊上方的埋頭螺絲以固定產品本體和基座。



## Adjustable Wall Bracket SERIES:

